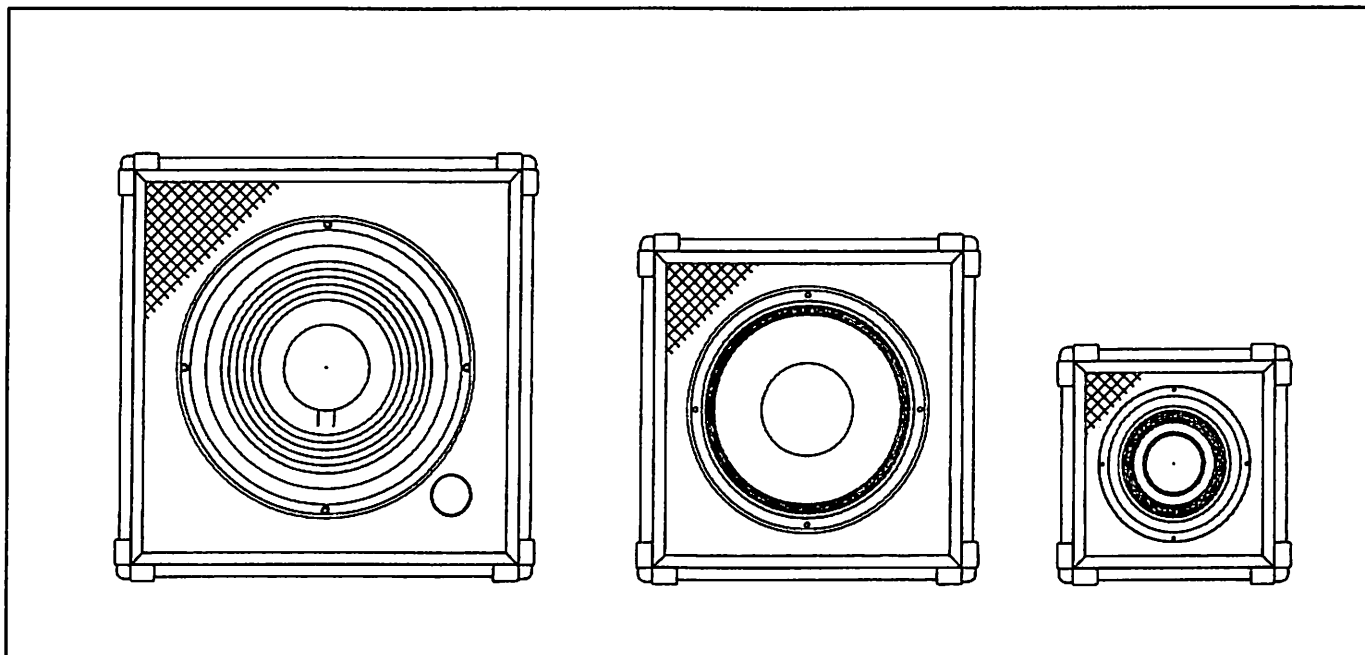


SA Economy series

GM 8, 12 & 15

Stage Monitors

Technical Specifications



“Economic Power!”

Economy series Stage Monitors

In order to achieve a perfect sound at any listening position the Economy series monitors are equipped with co-axial loudspeakers.

The sensitive low-mid range loudspeaker and the rear, center mounted compression driver, with a titanium diaphragm, join each other in a perfect “One Point Source” system (OPS). In practice this combination completely eliminates any phase errors.

Due to the sophisticated construction of the loudspeaker only one magnet is required. This results in an enormous reduction of weight compared to the till now used co-axial loudspeakers.

The low part is completely present despite the very compact construction. Through the use of “copper-cladded aluminium wire” for the voice coil in the compression driver a frequency response up to 20.000 Hz has been realised.

The built-in cross-over network, equipped with eminent components, provides an optimum separation and adjustment for the units.

Where space is the most important factor, the GM 8 is highly applicable. Despite its small dimensions the GM 8 will stagger you with its powerful sound. Its a really a small boy with a big mouth.

The GM 12 and GM 15 will perform well in heavy PA duties, special due to the 2 inch compression driver with titanium diaphragm.

The asymmetric cabinet enables placements in different angles, like framing as stage monitor for example. The enclosures, provided with handles and synthetic corner protections have the well-known sterling SA quality. The finishing touch is a Speakon connector which enables a robust and safe connection.

For these monitors a special suitable amplifier has been developed; the Economy series Model 400. The monitors combined with this amplifier provide a perfect monitor sound under all conditions.

- High acoustic output
- Co-axial design for superb dispersion
- Undestructable titanium 2" drivers (GM 12 & 15; GM 8: 1" driver)
- Minimum dimensions and weight
- Road-proof
- Easy handling



stage accompany

SA Economy series

GM 8, 12 & 15

Stage Monitors

Technical Specifications

GM 8

System specifications

Nominal impedance	8	Ohm
Power handling sine wave	80	W
Program	160	W
Sensitivity (@1W@1m)	90	dB
Maximum SPL (@1m) continous	109	dB
Frequency response	55 Hz - 20	kHz
Cross over frequency	1500	Hz
Nominal coverage (-6dB)	120	°
Dimensions (hxwxh)	312 x 312 x 256	mm
Weight	7.5	kg
Driver complement	1 x SA-OPS8, 8" co-axial loudspeaker	

GM 12

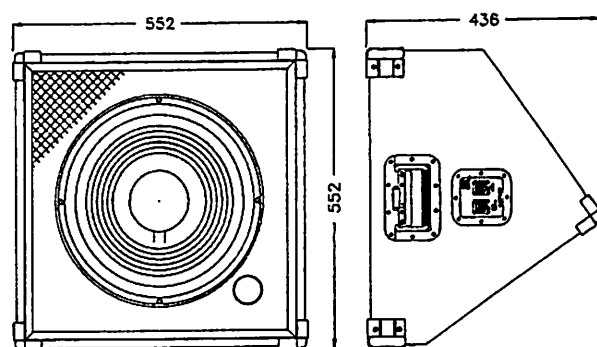
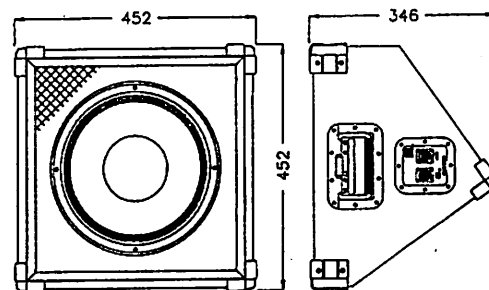
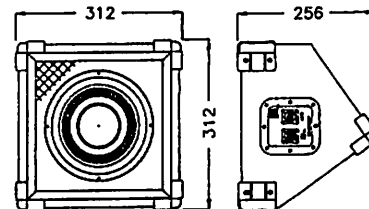
System specifications

Nominal impedance	8	Ohm
Power handling sine wave	200	W
Program	400	W
Sensitivity (@1W@1m)	93	dB
Maximum SPL (@1m) continous	116	dB
Frequency response	65 Hz - 20	kHz
Cross over frequency	1500	Hz
Nominal coverage (-6dB)	70	°
Dimensions (hxwxh)	452 x 452 x 346	mm
Weight	18	kg
Driver complement	1 x SA-OPS12, 12" co-axial loudspeaker	

GM 15

System specifications

Nominal impedance	8	Ohm
Power handling sine wave	300	W
Program	600	W
Sensitivity (@1W@1m)	97	dB
Maximum SPL (@1m) continous	122	dB
Frequency response	65 Hz - 20	kHz
Cross over frequency	1500	Hz
Nominal coverage (-6dB)	70	°
Dimensions (hxwxh)	552 x 552 x 436	mm
Weight	21	kg
Driver complement	1 x SA-OPS15, 15" co-axial loudspeaker	



stage accompany

Stage Accompany

Anodeweg 4
1627 LJ Hoorn
The Netherlands
Tel: (0)2290 - 12542
Fax: (0)2290 - 11192
Telex: 37989 Stage nl