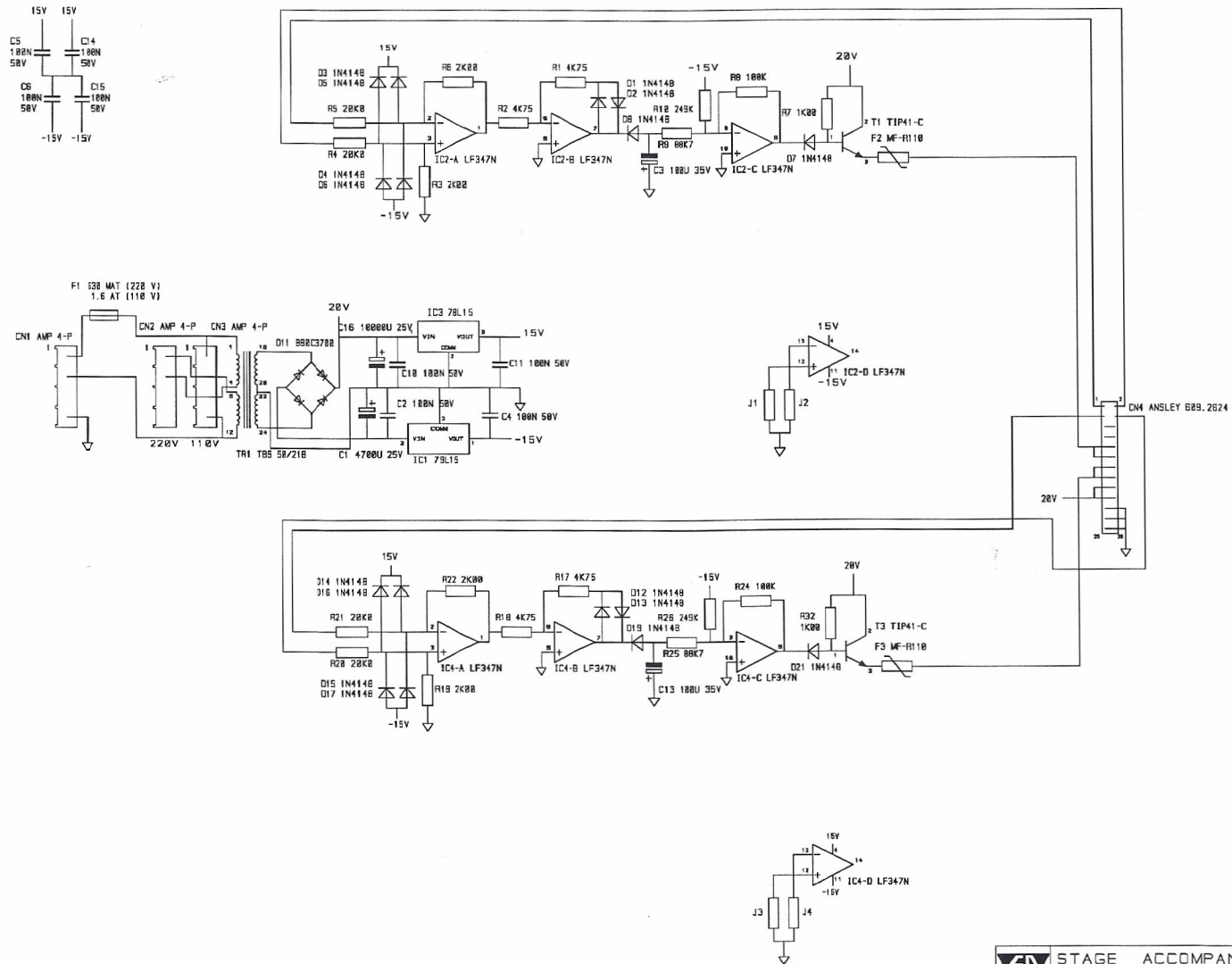
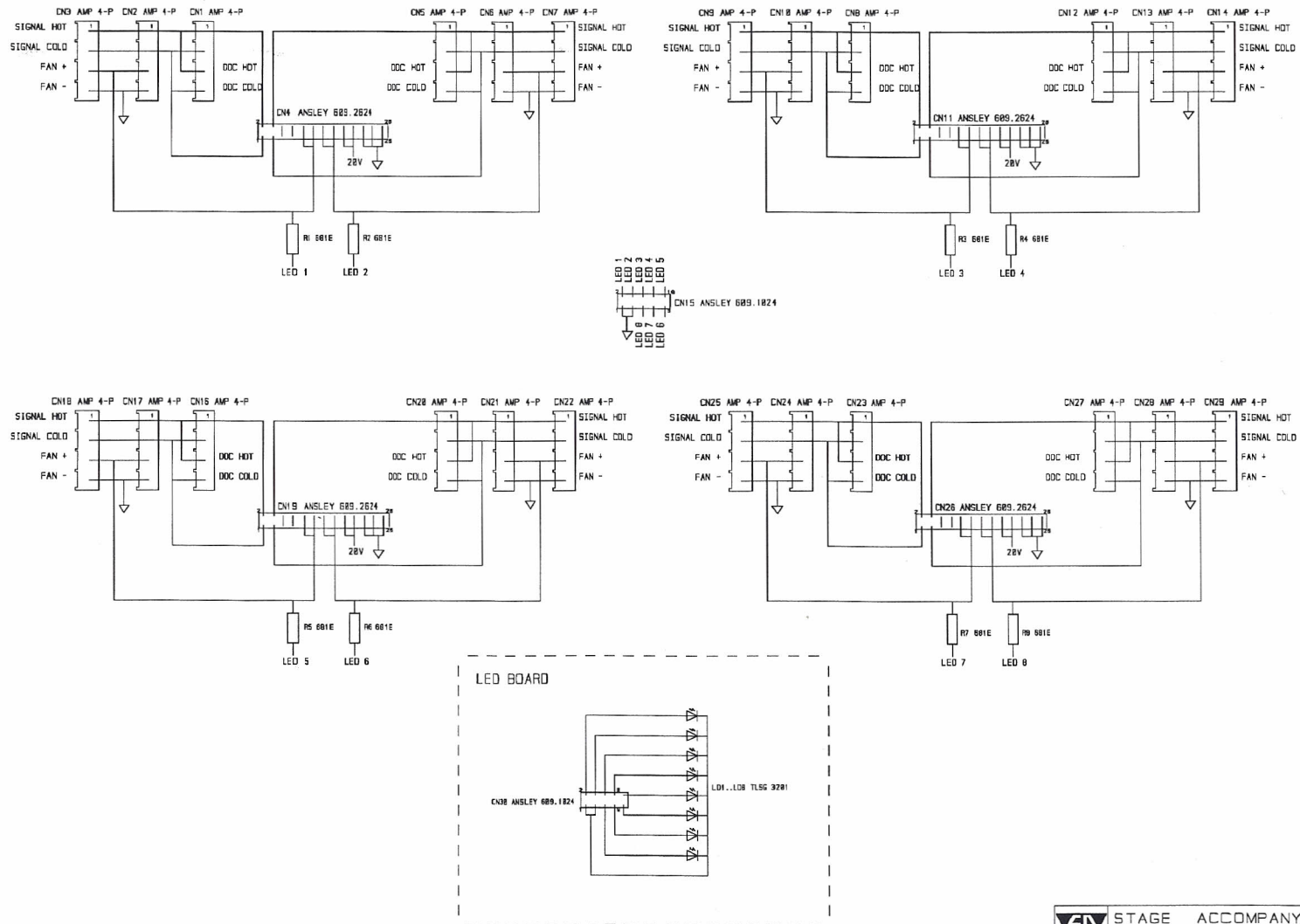


Schematic diagrams



A3	STAGE ACCOMPANY		HOORN THE NETHERLANDS
	PROJECT: PERFORMER SERIES		
	CIRCUIT: 8113.1203 RACK CONTROL BOARD		
	DRAWING NO: PERP-12	UPDATE FROM: PERP-5	
	PES NO: 1531.8532/1	DRAWN: R. KUIPERS	DATE: 05-11-98

Schematic diagrams



A3	STAGE ACCOMPANY		HOORN THE NETHERLANDS
	PROJECT: PERFORMER SERIES		
	CYCLETTE: PROJECT FAN SUPPLY		
	DRAWING NO: PERF-13	UPDATE FROM:	
	PCB NO: 1531.8534/8535	DRAWN: R. KUIPERS	DATE: 11-10-98
REMARKS:			

Schematic diagrams

