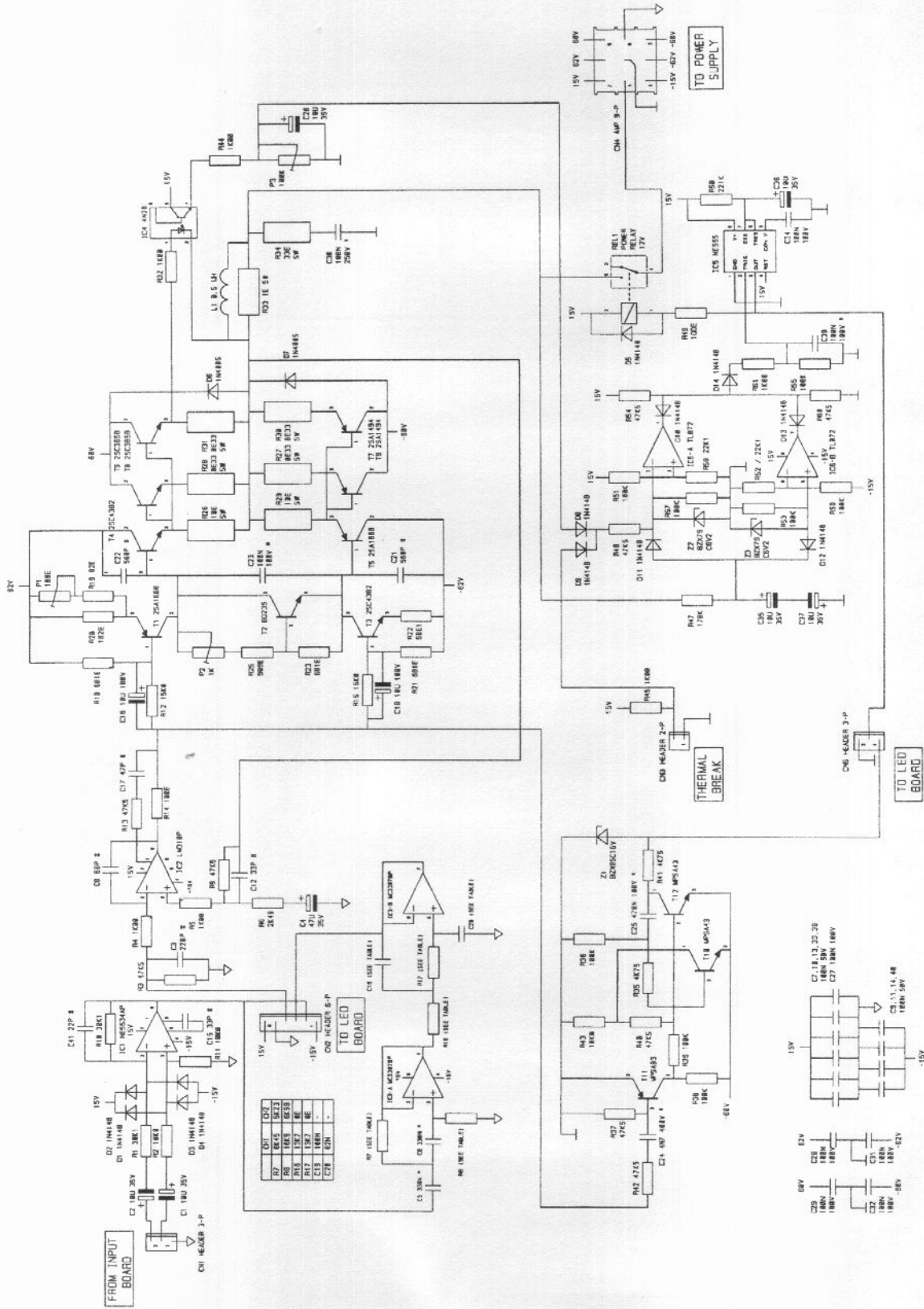
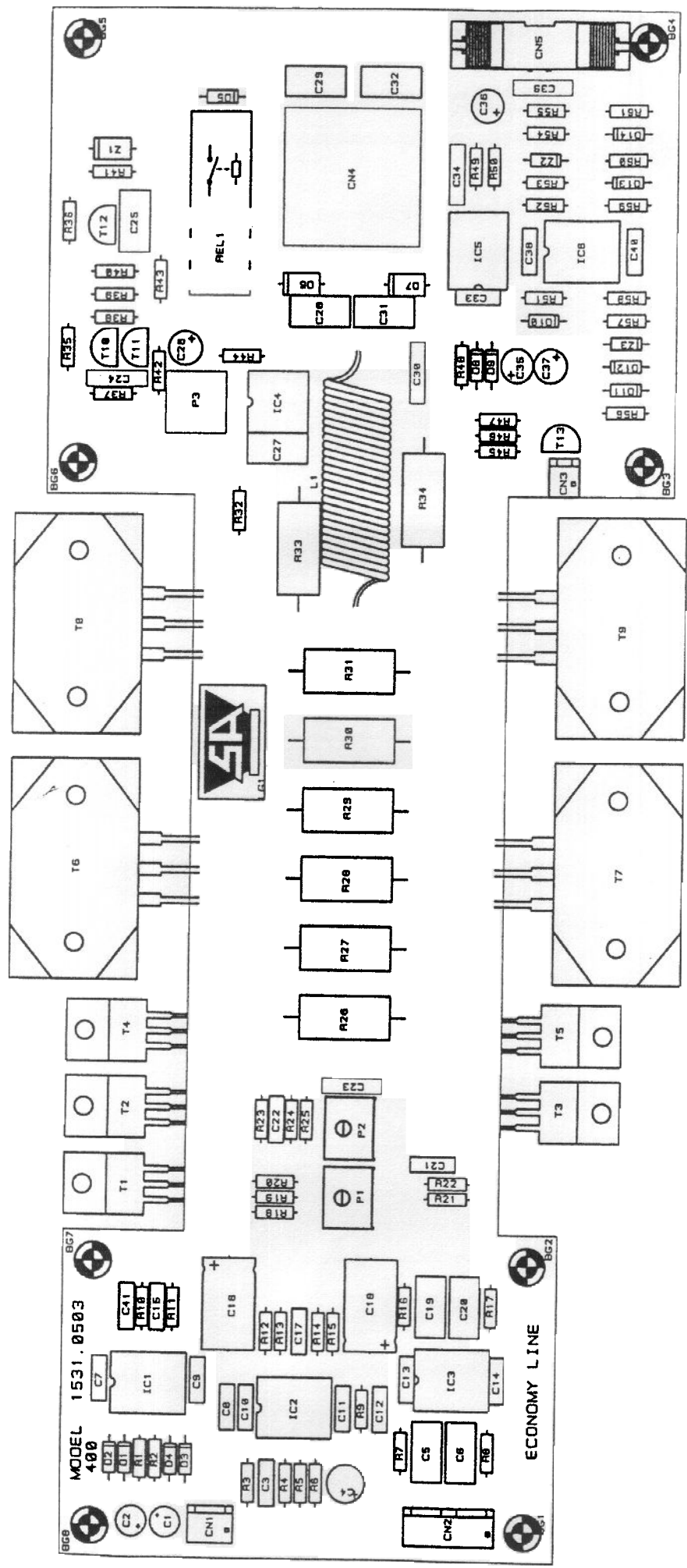
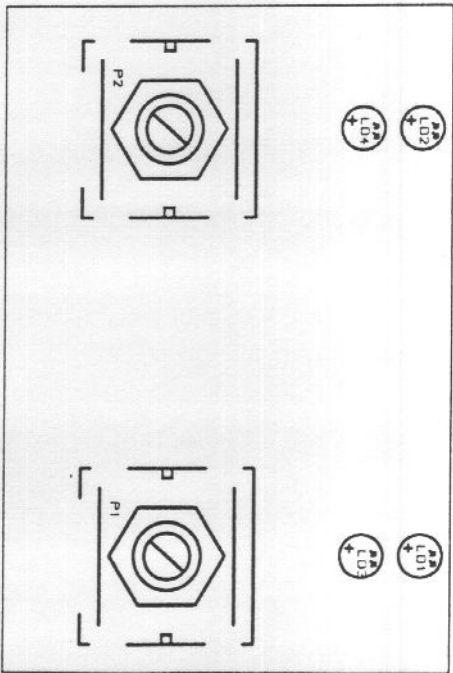
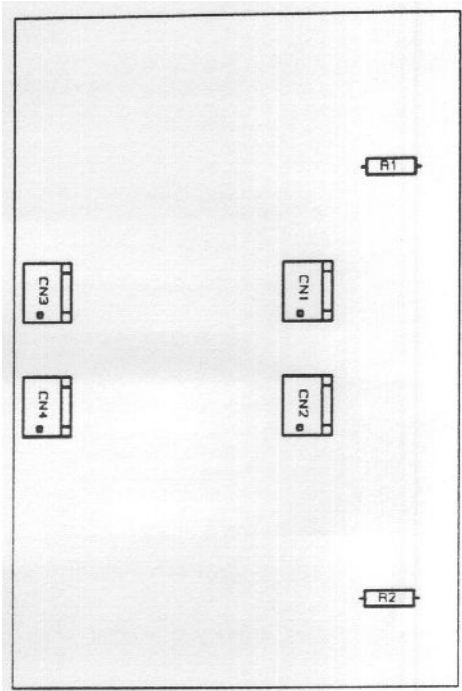


SA 4000C



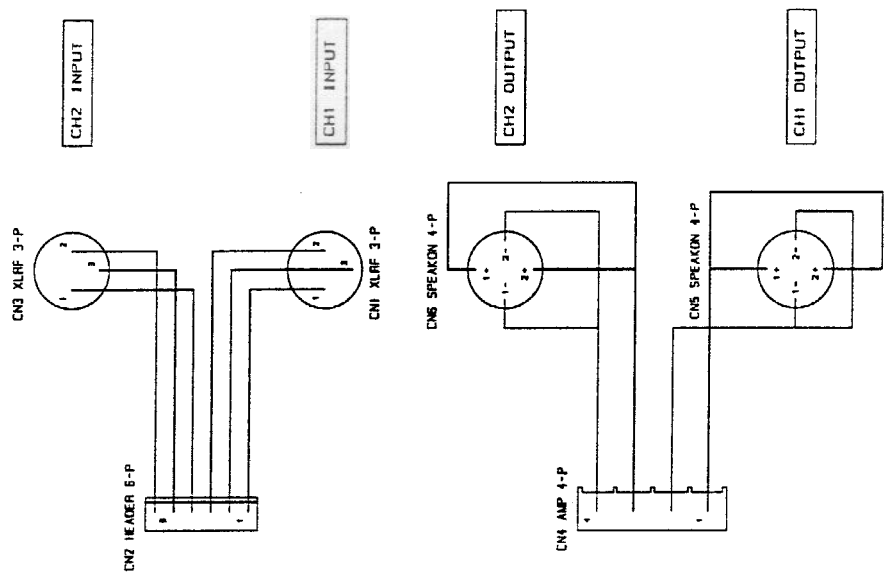
All resistors 1% multi-film unless otherwise stated
 * denotes a 480V ceramic capacitor
 † denotes a 182 MKT/MCM electrolytic




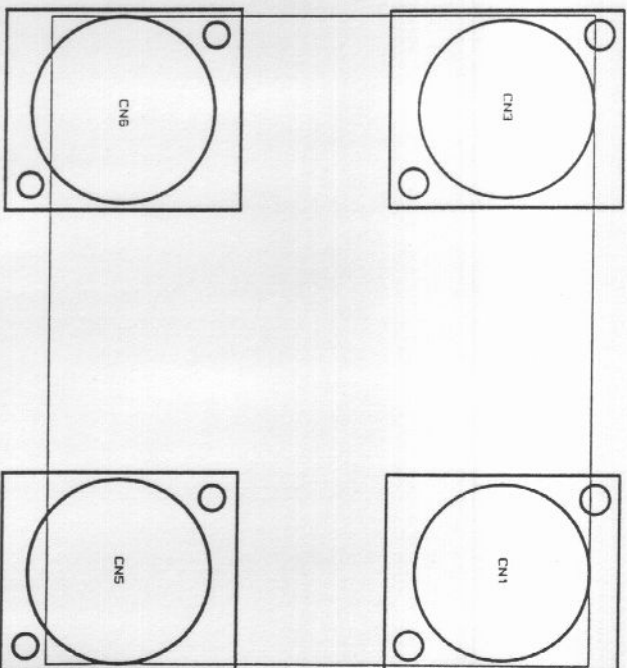
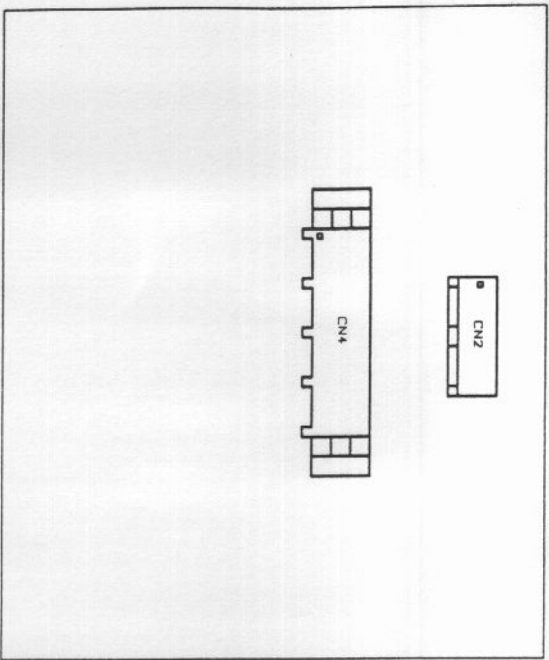



STV		STAGE ACCOMPANY		HOORN THE NETHERLANDS
PROJECT: SA MODEL 400				
CIRCUIT: LED BOARD				
DRAWING NO.: SA400-09				
PCB NO.: 1085.0400/1				
REMARKS:				
UPDATE FROM:			DRAWN: R. KUIPERS	
DATE: 1-4-01-92				
A4				

3

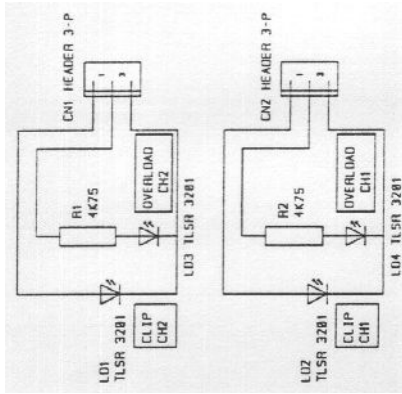


	STAGE ACCOMPANY		HOORN THE NETHERLANDS	
	PROJECT: SA MODEL 400			
	CIRCUIT: CONNECTOR BOARD			
	DRAWING NO: SA100-05		UPDATE FROM:	
PCB NO: 1005-0401		DRAWN: R. KUITPERS		
REMARKS:		DATE: 14-01-92		
A4				



	STAGE ACCOMPANY		HOORN THE NETHERLANDS
	PROJECT: SA MODEL 400 CIRCUIT: POWER AMPLIFIER		
A4	DRAWING NO: 5A400-10 PCB NO: 1085.0401 REMARKS:		UPDATE FROM: DRAWN: R. KUIPENS DATE: 14-01-92

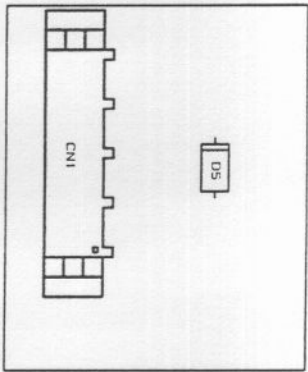
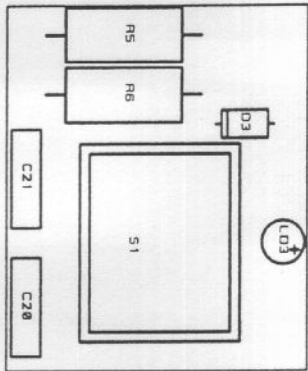
55




STAGE ACCOMPANY THE NETHERLANDS

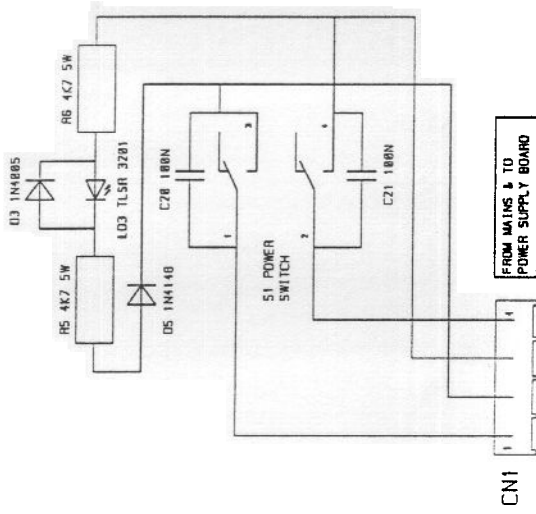
PROJECT: SA MODEL 400	HOORN
CIRCUIT: LED BOARD	THE NETHERLANDS
DRAWING NO: SA400-04	UPDATE FROM:
PCB NO: 1005-0400/1	DRAWN: R. KUIPERS
REMARKS:	DATE: 14-01-92

A 4



	STAGE ACCOMPANY		HOORN THE NETHERLANDS
	PROJECT: SA MODEL 408 CIRCUIT: MAINS SWITCH BOARD		
A 4	DRAWING NO: SA408-11		UPDATE FROM:
	PCB NO: 1885.1603/3		DRAWN: R. KUIPERS
	REMARKS:		DATE: 14-01-92

20



STAGE ACCOMPANY

HOORN
THE NETHERLANDS

PROJECT: SA MODEL 400

CIRCUIT: MAINS SWITCH

DRAWING NO: SA400-06

PCB NO: 1005-1003/3

UPDATE FROM:

DRAWN: R. KUTPERS

DATE: 14-01-92

A 4

REMARKS: