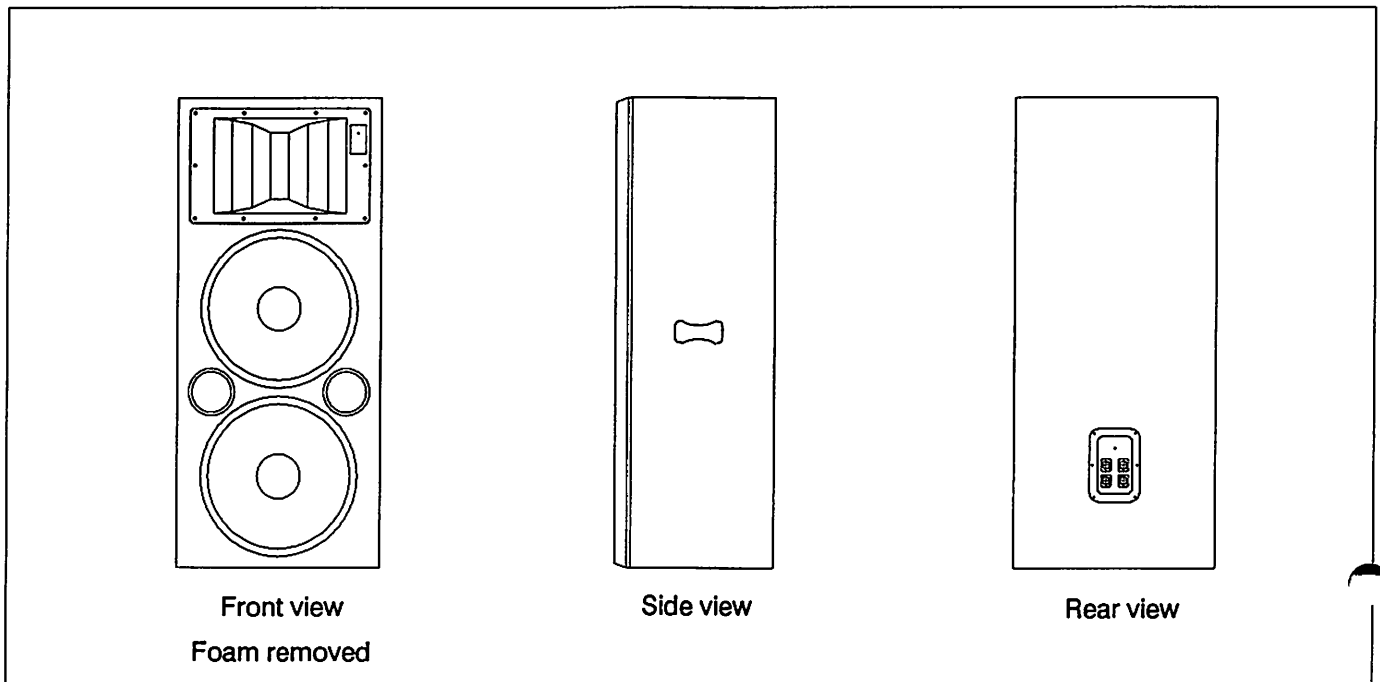


# SA 4529 Champion

Reinforcement loudspeaker

Technical Specifications



**“Hitting you right between the ears!”**

## SA 4529 Champion

The SA 4529 “Champion” is a passive loudspeaker cabinet of a totally new generation. Constructed around our superior 15” low-frequency loudspeaker and unique Compact Driver, it sets a stunning new standard for sound quality and power in this type of speaker system. In fact sound quality is so good that it easily exceeds quality of many widely used studio monitor systems.

Available with or without custom designed flight-case, this good looking system can be used in almost any situation. The built in, individually tuned crossover can be simply by-passed to enable “Bi-amping”.

### The Champion for superior performance!

By using the very popular Compact Driver, the Champion provides true Super-HiFi quality in a compact and portable system. A constant directivity horn coupled to the Compact Driver offers smooth, controlled dispersion of 70° from 1 KHz up.

The SA 4529, a real world Champion, is fitted with an 8525 Compact Driver and two 1503 woofers. It delivers an incredible tight and punchy bass and has a power rating of 300 W RMS.

For absolute top-quality sound reproduction, DDC (Dynamic Damping Control) wiring is standard to form a perfect match with the SA PPA-1200 Champ-amp. This programmable power amplifier has factory programmed presets to optimize performance for, amongst others, the 4529. In combination with DDC this results in an even tighter and cleaner sound.

### The Champion; clever design!

The construction of the Champion is well-considered in every possible aspect. The custom built flightcase features many important details. Often, recessed handles vibrate with the music. Using silicon paste settles with these irritating noises. Special fixtures called “Dolfies<sup>®</sup>” are used for rockstable stacking. Covers with castors accommodate maximum protected transportation, whilst carefully positioned dishes allow for safe stacking of several units on castors. The 4529 can be easily mounted on a height adjustable floorstand for optimal sound projection in every situation.

Stage Accompany reserves the right to change specifications without notice. As a result of constant research SA products may differ from published description but will always equal or exceed the specifications stated here.

- High acoustic output
- Unequalled transient response
- Superb frequency response
- Exceptional tight and punchy low frequency reproduction
- Road-proof
- Switchable for passive or active use (Bi-amping)



stage accompany

# SA 4529 Champion

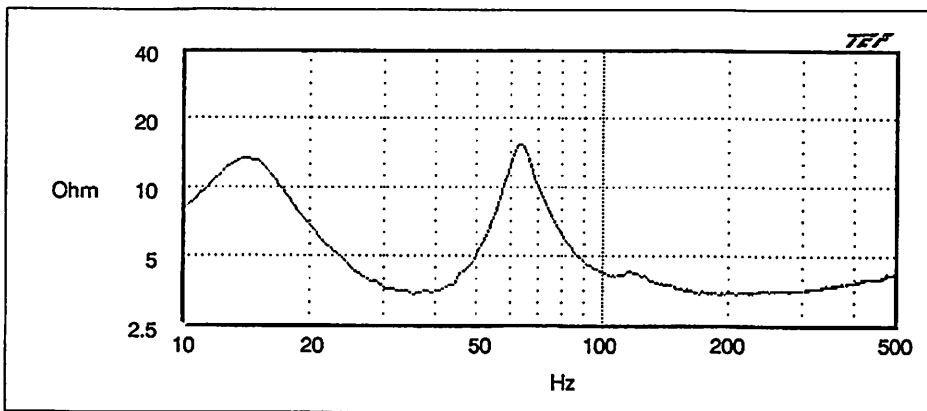
## Reinforcement loudspeaker

## Technical Specifications

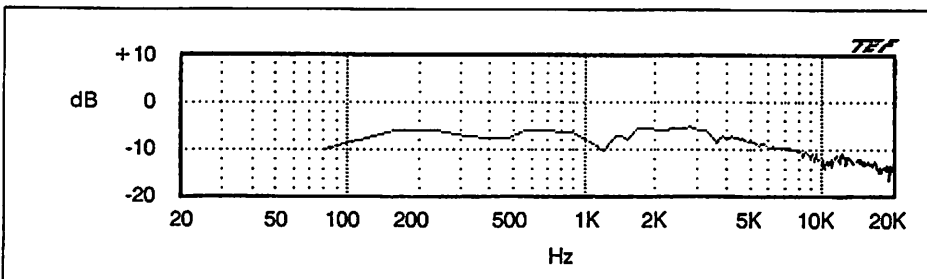
	SYSTEM	HIGH	LOW	
Impedance	4	5	4	Ohms
Power handling capacity	300	60	300	W
Peak power handling (200 ms max.)	1000	1000	2000	W
Sensitivity @1W@1m	98	102	98	dB
Max. output level (SPL@1m)	123	120	123	dB cont.
	131	132	131	dB peak
Frequency response	40 Hz - 32			kHz
Crossover frequency	1			kHz
Crossover filter slope	low:	18		dB/oct.
	high:	12		dB/oct.

Horizontal dispersion	70°	degr.
Dimensions (hxwx d)	1150 x 505 x 360	mm
Dimensions flightcase (hxwx d)	1180 x 535 x 515	mm
Weight	66	kg
Total flightcased weight	85	kg

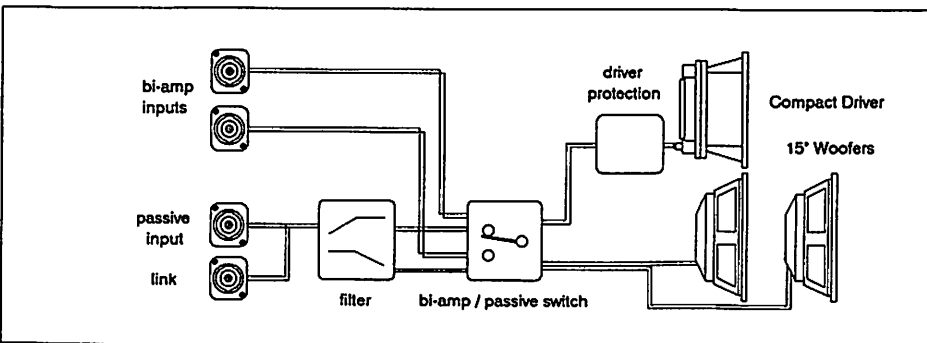
Contents:	2 x SA 1503 loudspeaker
	1 x SA 8525 compact driver
	1 x SA 2327 horn
	1 x SA 3329 crossover
	1 x SA DP8525 driver protection



Impedance



Frequency response



Internal wiring



stage company

### Stage Company

Anodeweg 4  
1627 LJ Hoorn  
The Netherlands  
Tel: (0)2290 - 12542  
Fax: (0)2290 - 11192  
Telex: 37989 Stage nl

Your local dealer is:

