

# **D&R**

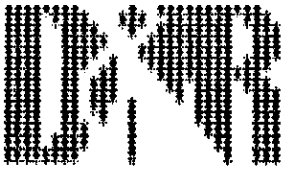
**mixing consoles**

## **DISTEQ**

### **Service Manual**

[www.salvage.com](http://www.salvage.com)

**D&R Electronica BV**  
Rijnkade 15 B  
1382 GS Weesp  
The Netherlands  
Tel: ++31-2940-18014  
Fax: ++31-2940-16987



Rijnkade 15b  
1382 GS WEESP  
TLX. 18503 dr nl  
TEL. 02940-19014

Electronica b.v. HOLLAND

Date : 11-12-87

R & D department

---

CONFIGURATION : DISTEQ CONNECTORS

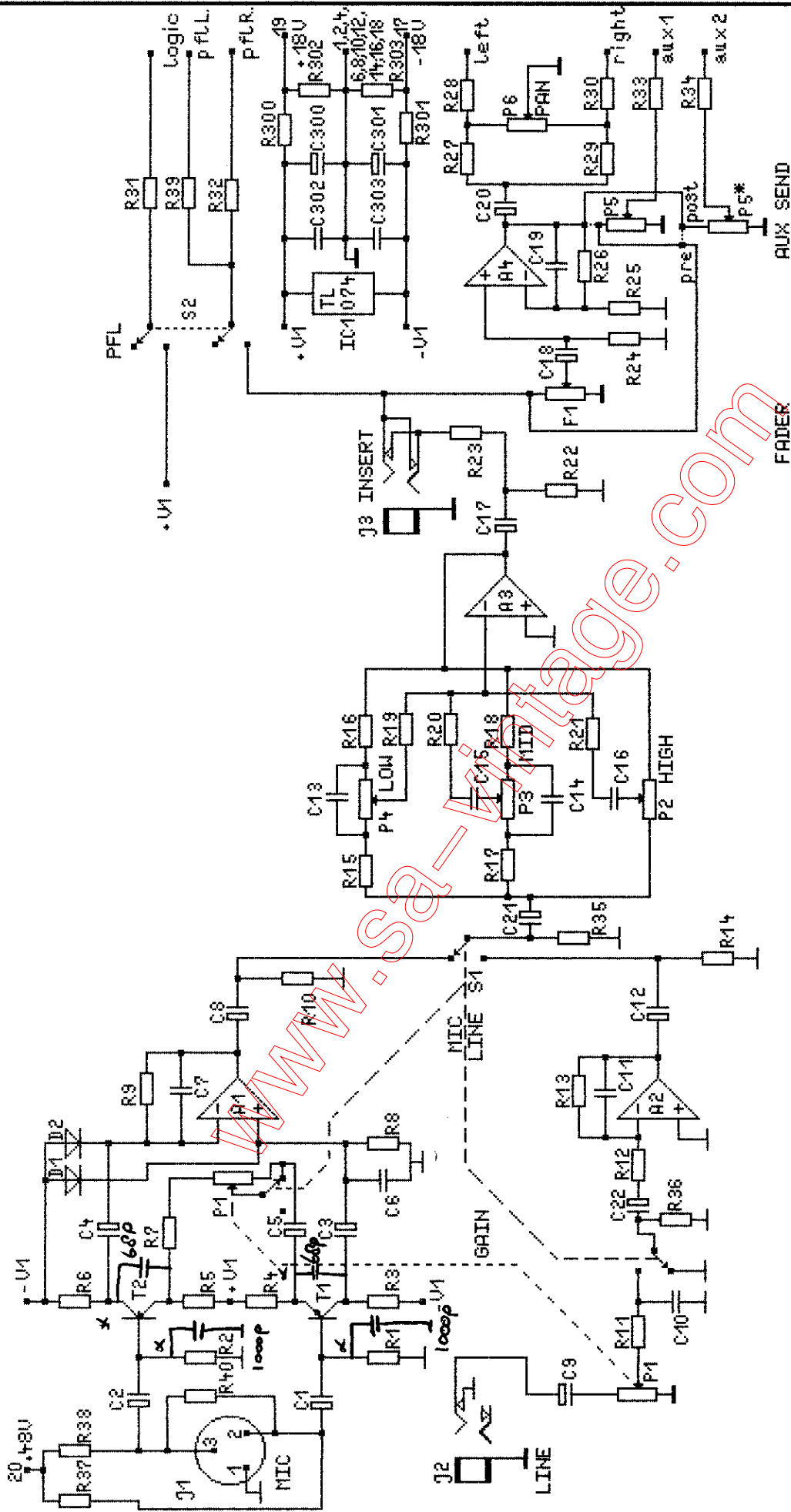
---

```
=====
```

	connector a	
1	audio ground	
2	audio ground	
3	left	
4	audio ground	
5	right	
6	audio ground	
7	pfl right	
8	audio ground	
9	pfl left	
10	audio ground	
11	aux 1	
12	audio ground	
13	logic	
14	audio ground	
15	aux 2	
16	audio ground	
17	-V	
18	audio ground	
19	+V	
20	+ 48 volt	

```
=====
```

www.sa-vintage.com



TITLE : DISTEQ MONO CHAN.

INDEX	3
MOD. BY.	
DATE	
CHECK 1	
CHECK 2	
DRAWN	P. IlLcke

THIS DRAWING REPLACES PREVIOUS ONES

PCB REF. nr.	0569
DESIGN	J. de Rijk
DATE	03-08-1987
SHEET	1 OF 5

NOTES :

- IC1-A1, A2, A3, A4
- P5\* + R34: optional for aux 2
- aux1 optional post-fader wired
- aux2 optional pre-fader wired
- x 8y oscillation

TELEX: 18503 dr nl  
 TELEPHONE: 02940-18014  
 RIJNSKADE 15b  
 1382GS WEESP  
 Electronica by Holland



Rijksweg 100  
1382 GS WEESP  
TLX. 18503 dr nl  
TEL. 02940-18014

Electronica b.v. HOLLAND

Date : 25-08-1987

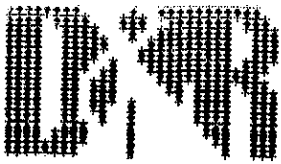
R & D department

PARTLIST : DISTEQ MONOCHANNEL

PCB-index : 1a

PartNr	Value	Notes	ArtNr
R1	4k7	5%	0737
R2	4k7	5%	0737
R3	4k7	5%mf	0801
R4	8k2	5%mf	0802
R5	8k2	5%mf	0802
R6	4k7	5%mf	0801
R7	22E	5%	0709
R8	86k6	1%	0803
R9	86k6	1%	0803
R10	47K	5%	0749
R11	1k2	5%	0730
R12	8k2	5%	0740
R13	82k	5%	0752
R14	47k	5%	0749
R15	15k	5%	0743
R16	15k	5%	0743
R17	4k7	5%	0737
R18	4k7	5%	0737
R19	47k	5%	0749
R20	10k	5%	0741
R21	10k	5%	0741
R22	47k	5%	0749
R23	100E	5%	0717
R24	100k	5%	0753
R25	10k	5%	0741
R26	22k	5%	0745
R27	10k	5%	0741
R28	47k	5%	0749
R29	10k	5%	0741
R30	47k	5%	0749
R31	47k	5%	0749
R32	10k	5%	0741
R33	47k	5%	0749
R34	47k	5%	0749
R35	47k	5%	0749
R36	47k	5%	0749
R37	6k81	1%	0846
R38	6k81	1%	0846
R39	10k	5%	0741
R40	2k2	5%	0733
R300	10E	5%	0705
R301	10E	5%	0705
R302	supply sym.	--	----
R303	supply sym.	--	----
C1	47/63	e lco	0289
C2	47/63	e lco	0289
C3	47/25	e lco	0287
C4	47/25	e lco	0287
C5	220/25	e lco	0290

C7		4p7	ker	0209
C8		47/25	elco	0287
C9		47/25	elco	0287
C10		270p	ker	0230
C11		4p7	ker	0209
C12		47/25	elco	0287
C13		0.022	poly	0256
C14		3300p	poly	0249
C15		8200p	poly	0252
C16		1500p	poly	0247
C17		47/25	elco	0287
C18		47/25	elco	0287
C19		22p	ker	0217
C20		47/25	elco	0287
C21		47/25	elco	0287
C22		47/25	elco	0287
C23		15p	ker	0215
C300		220/25	elco	0290
C301		220/25	elco	0290
C302		0.1/63	ker	0241
C303		0.1/63	ker	0241
D1		1N4148	sgn	0342
D2		1N4148	sgn	0342
T1		BC560B	PNP	0327
T2		BC560B	PNP	0327
IC 1		TL074	bifet	0305
gain	P1	10kCB	12.5mm	0885
high	P2	100kA	12.5mm	0888
mid	P3	100kA	12.5mm	0888
low	P4	100kA	12.5mm	0888
aux1	P5	47kB	12.5mm	0887
aux1/2	P5* (optional)	47kBzo	12.5mm	0999
pan	P6	10kA cn	12.5mm	0878
fader	F1	10kB	jungpng	0089
mic line	S1	4x2 switch	ALPS	0401
pfl	S2	2x2 switch	ALPS	0400
conn. A		20 pins	MLX557820	0456
conn. B		3 pins shunt	----	----
conn. C (optional)		3 pins shunt	----	----
mic	J1	Chass XLR plastic	X705	0237
line	J2	break jack	CLIFF	0432
insert	J3	break jack	CLIFF	0432



Rijnkade 15b  
 1382 GS WEESEP  
 TLX. 18503 dr nl  
 TEL. 02940-18014

Electronica b.v. HOLLAND

Date : 09-10-1989

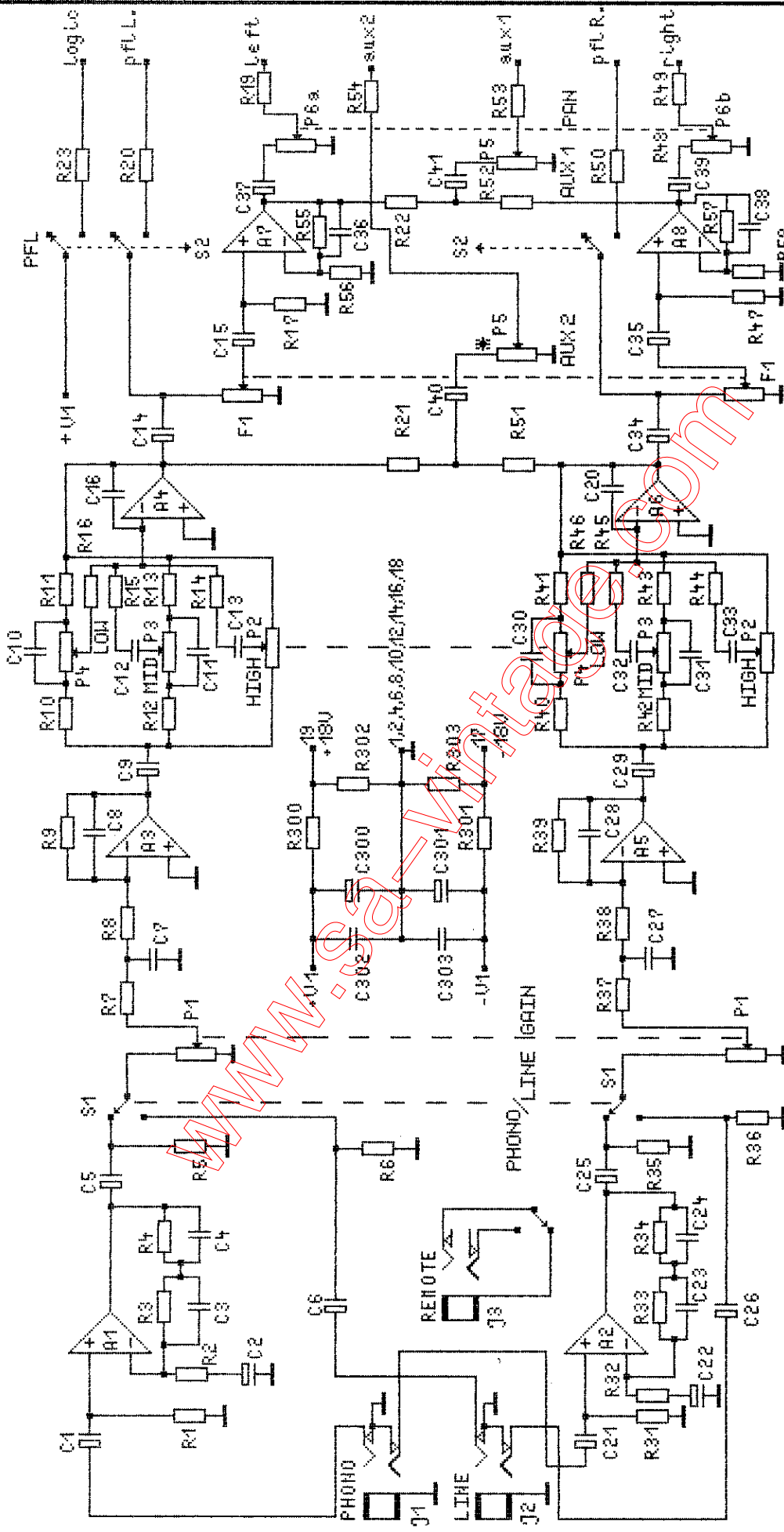
R & D department

PARTLIST : DISTEQ MONOCHANNEL New Version

PCB-index : 1a

PartNr	Value	Notes	PartNr
R1	4k7	5%	0737
R2	4k7	5%	0737
R3	4k7	5%mf	0801
R4	8k2	5%mf	0802
R5	8k2	5%mf	0802
R6	4k7	5%mf	0801
R7	22E	5%	0709
R8	86k6	1%	0803
R9	86k6	1%	0803
R10	47K	5%	0749
R11	1k2	5%	0730
R12	8k2	5%	0740
R13	82k	5%	0752
R14	47k	5%	0749
R15	18k	5%	0744
R16	18k	5%	0744
R17	1k2	5%	0730
R18	1k2	5%	0730
R19	47k	5%	0749
R20	10k	5%	0741
R21	10k	5%	0741
R22	47k	5%	0749
R23	100E	5%	0717
R24	100k	5%	0753
R25	10k	5%	0741
R26	22k	5%	0745
R27	10k	5%	0741
R28	47k	5%	0749
R29	10k	5%	0741
R30	47k	5%	0749
R31	47k	5%	0749
R32	10k	5%	0741
R33	47k	5%	0749
R34	47k	5%	0749
R35	47k	5%	0749
R36	47k	5%	0749
R37	6k81	1%	0846
R38	6k81	1%	0846
R39	10k	5%	0741
R40	2k2	5%	0733
R300	10E	5%	0705
R301	10E	5%	0705
R302	supply sym.	--	----
R303	supply sym.	--	----
C1	47/53	elco	0289
C2	47/53	elco	0289
C3	47/25	elco	0287
C4	47/25	elco	0287
C5	220/25	elco	0290

C6		4p7	ker	0209
C7		4p7	ker	0209
C8		47/25	elco	0287
C9		47/25	elco	0287
C10		270p	ker	0230
C11		4p7	ker	0209
C12		47/25	elco	0287
C13		0.022	poly	0256
C14		6800p	poly	0251
C15		8200p	poly	0252
C16		1500p	poly	0247
C17		47/25	elco	0287
C18		47/25	elco	0287
C19		22p	ker	0217
C20		47/25	elco	0287
C21		47/25	elco	0287
C22		47/25	elco	0287
C23		15p	ker	0215
C300		220/25	elco	0290
C301		220/25	elco	0290
C302		0.1/63	ker	0241
C303		0.1/63	ker	0241
D1		1N4148	sgn	0342
D2		1N4148	sgn	0342
T1		BC560B	PNP	0327
T2		BC560B	PNP	0327
IC 1		TL074	bifet	0305
gain	P1	10kCB	12.5mm	0885
high	P2	100kA	12.5mm	0888
mid	P3	100kA	12.5mm	0888
low	P4	100kA	12.5mm	0888
aux1	P5	47kB	12.5mm	0887
aux1/2	P5* (optional)	47kBco	12.5mm	0999
pan	P6	10kA cn	12.5mm	0878
fader	F1	10kB	jungphg	0889
micline	S1	4x2 switch	ALPS	0401
pfl	S2	2x2 switch	ALPS	0400
conn. A		20 pins	MLX557820	0456
conn. B		3 pins shunt	----	----
conn. C (optional)		3 pins shunt	----	----
mic	J1	Chass XLR plastic	X705	0237
line	J2	break jack	CLIFF	0432
insert	J3	break jack	CLIFF	0432



TELEX: 18503 dr nl  
 TELEPHONE: 02940-18014  
 RIJNSKADE 15b  
 18826S WEESEP  
 Electronics bv Holland

TITLE : DISTEQ ST. CHAN.  
 PCB 2

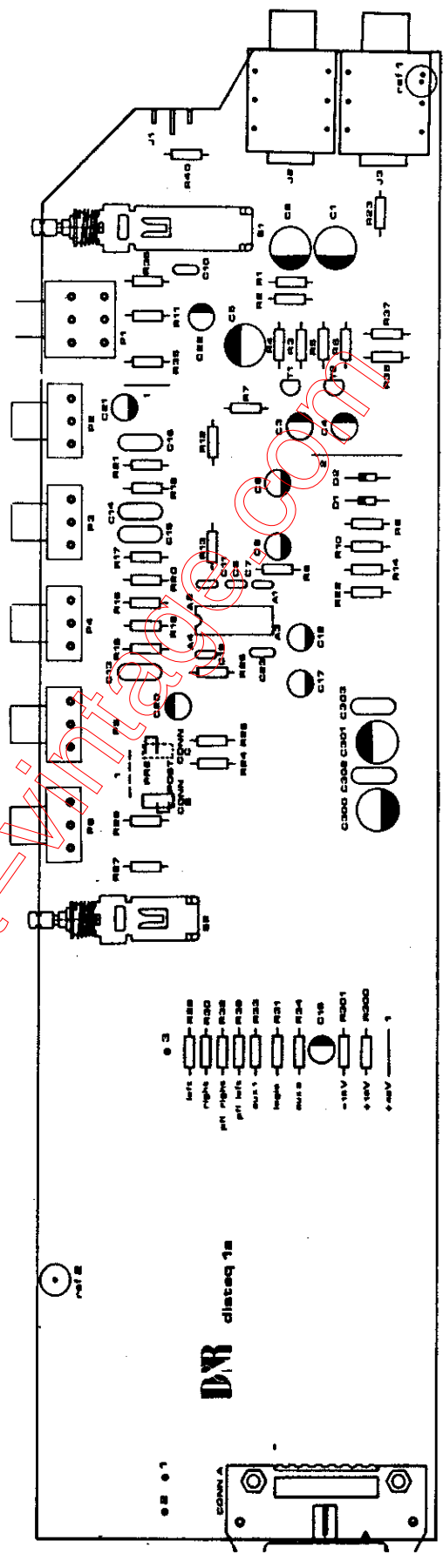
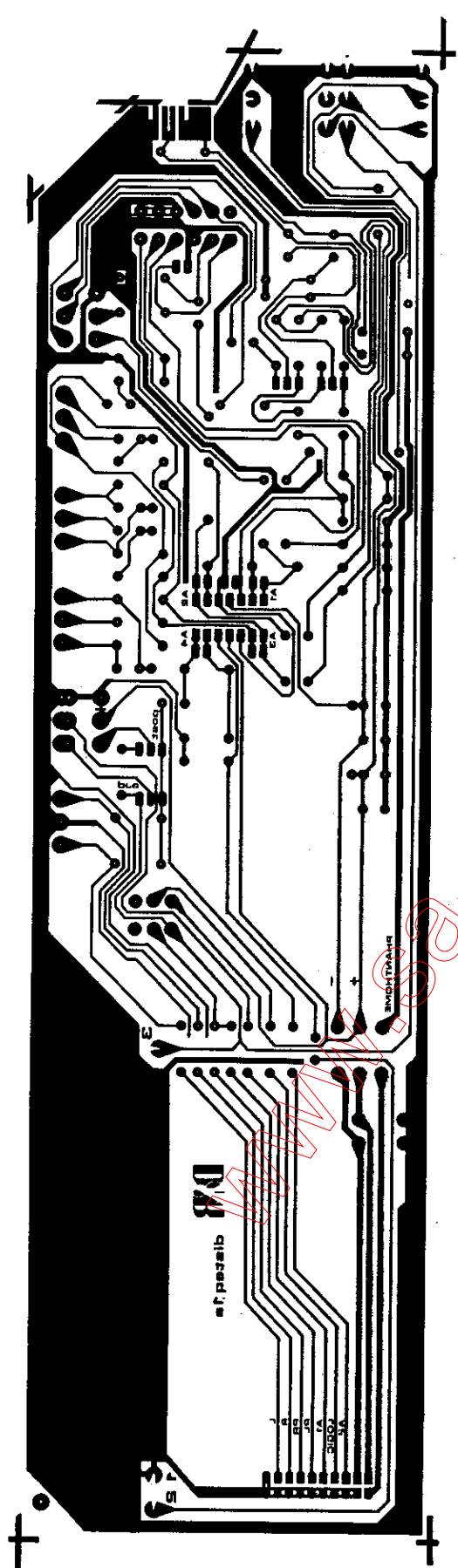
INDEX 3  
 MOD. BY.  
 DATE  
 CHECK 1  
 CHECK 2  
 DRAWN P. J. Ucke / J. A. van Hezik

THIS DRAWING REPLACES PREVIOUS ONES

NOTES

- IC1-A1, A2
- IC2-A3, A4, A5, A6
- IC3-A7, A8
- P5\*+R54: optional for aux 2
- aux 1 optional pre-fader wired
- aux 2 optional post-fader wired





**DB** Electronica by Holland

TELEX: 18503 dr nl  
 TELEPHONE: 02940-18014  
 RIJNSKADE 15b  
 1382GS WEESP

**DB** disteq 1a

0 3  
 left -R18  
 right -R20  
 left -R22  
 right -R24  
 left -R26  
 right -R28  
 left -R30  
 right -R32  
 left -R34  
 right -R36  
 left -R38  
 right -R40  
 left -R42  
 right -R44  
 left -R46  
 right -R48  
 left -R50  
 right -R52  
 left -R54  
 right -R56  
 left -R58  
 right -R60  
 left -R62  
 right -R64  
 left -R66  
 right -R68  
 left -R70  
 right -R72  
 left -R74  
 right -R76  
 left -R78  
 right -R80  
 left -R82  
 right -R84  
 left -R86  
 right -R88  
 left -R90  
 right -R92  
 left -R94  
 right -R96  
 left -R98  
 right -R100

**TITLE :** DISTEQ MONO CHANNEL  
PCB 1

**PCB.REF. nr. :**

**DESIGN :**

**DATE :**

**SHEET** \_\_\_\_\_ **OF** \_\_\_\_\_

**THIS DRAWING REPLACES PREVIOUS ONES**

INDEX	
MOD. BY.	
DATE	
CHECK 1	
CHECK 2	
DRAWN	

**NOTES**



Rijnkade 15b  
1382 GS MEESP  
TLX. 18583 dr nl  
TEL. 02940-18814

Electronica b.v. HOLLAND

Date : 27-08-1987

R & D department

PARTLIST : DISTEQ STEREOCHANNEL

PCB-index : 2a

PartNr	Value	Notes	ArtNr
R1	47k	5%	0749
R2	390E	5%	0724
R3	100k	5%	0753
R4	10k	5%	0741
R5	47k	5%	0749
R6	47k	5%	0749
R7	1k2	5%	0730
R8	8k2	5%	0740
R9	82k	5%	0752
R10	15k	5%	0743
R11	15k	5%	0743
R12	4k7	5%	0737
R13	4k7	5%	0737
R14	10k	5%	0741
R15	10k	5%	0741
R16	47k	5%	0749
R17	100k	5%	0753
R19	47k	5%	0749
R20	10k	5%	0741
R21	1k5	5%	0731
R22	1k5	5%	0731
R23	47k	5%	0749
R31	47k	5%	0749
R32	390E	5%	0724
R33	100k	5%	0753
R34	10k	5%	0741
R35	47k	5%	0749
R36	47k	5%	0749
R37	1k2	5%	0730
R38	8k2	5%	0740
R39	82k	5%	0752
R40	15k	5%	0743
R41	15k	5%	0743
R42	4k7	5%	0737
R43	4k7	5%	0737
R44	10k	5%	0741
R45	10k	5%	0741
R46	47k	5%	0749
R47	100k	5%	0753
R49	47k	5%	0749
R50	10k	5%	0741
R51	1k5	5%	0731
R52	1k5	5%	0731
R53	47k	5%	0749
R54	47k	5%	0749
R55	22k	5%	0745
R56	10k	5%	0741
R57	22k	5%	0745
R58	10k	5%	0741
R300	10E	5%	0705
R301	10E	5%	0705

C1	47/25	elco	0287	
C2	47/25	elco	0287	
C3	0.033	poly	0257	
C4	6800p	poly	0251	
C5	47/25	elco	0287	
C6	47/25	elco	0287	
C7	1000p	ker	0236	
C8	2p2	ker	0205	
C9	47/25	elco	0287	
C10	0.022	poly	0256	
C11	3300p	poly	0249	
C12	8200p	poly	0252	
C13	1500p	poly	0247	
C14	47/25	elco	0287	
C15	47/25	elco	0287	
C16	15p	ker	0215	
C20	15p	ker	0215	
C21	47/25	elco	0287	
C22	47/25	elco	0287	
C23	0.033	poly	0257	
C24	6800p	poly	0251	
C25	47/25	elco	0287	
C26	47/25	elco	0287	
C27	1000p	ker	0236	
C28	2p2	ker	0205	
C29	47/25	elco	0287	
C30	0.022	poly	0256	
C31	3300p	poly	0249	
C32	8200p	poly	0252	
C33	1500p	poly	0247	
C34	47/25	elco	0287	
C35	47/25	elco	0287	
C36	4p7	ker	0209	
C37	47/25	elco	0287	
C38	4p7	ker	0209	
C39	47/25	elco	0287	
C40	47/25	elco	0287	
C41	47/25	elco	0287	
C300	47/25	elco	0287	
C301	47/25	elco	0287	
C302	0.1/63	ker	0241	
C303	0.1/63	ker	0241	
R1,A2	NE5532	lows	0307	
R3,A4,A5,A6	TL074	bifet	0305	
R7,A8	TL072	bifet	0304	
gain	P1	22k $\Omega$ st	12.5mm	0886
high	P2	100k $\Omega$ st	12.5mm	0889
mid	P3	100k $\Omega$ st	12.5mm	0889
low	P4	100k $\Omega$ st	12.5mm	0889
aux1	P5	47k $\Omega$	12.5mm	0887
aux1/2	P5* (optional)	47k $\Omega$ co	12.5mm	0999
bal	P6	10k $\Omega$ st cn	12.5mm	0892
fader	F1	10k $\Omega$ st	jungpng	0090
pho/li.	S1	2x2 switch	ALPS	0400
pfl	S2	4x2 switch	ALPS	0401
conn. A		20 pins	MLX557820	0456
conn. B		3 pins shunt	MLX7030	----
conn. C (optional)		3 pins shunt	MLX7030	----
phono	J1	break jack	CLIFF	0432
line	J2	break jack	CLIFF	0432



Rijnkade 15b  
 1382 GS MEESP  
 TLX. 18503 dr nl  
 TEL. 02940-10014

Date : 09-10-1989

Electronica b.v. HOLLAND

R & D department

PARTLIST : DISTEQ STEREOCHANNEL New Version

PCB-index : 2a

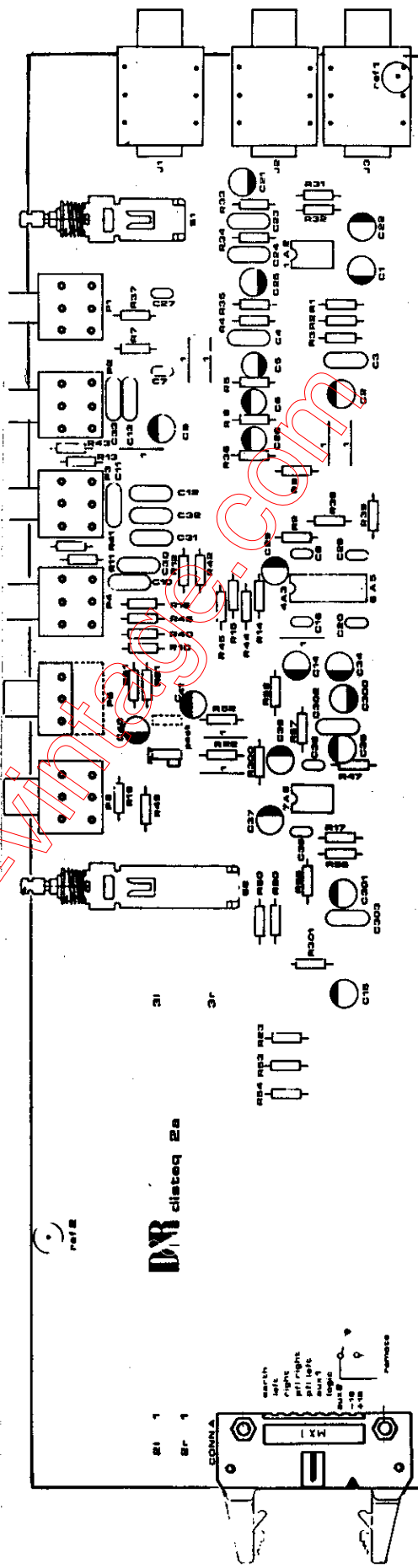
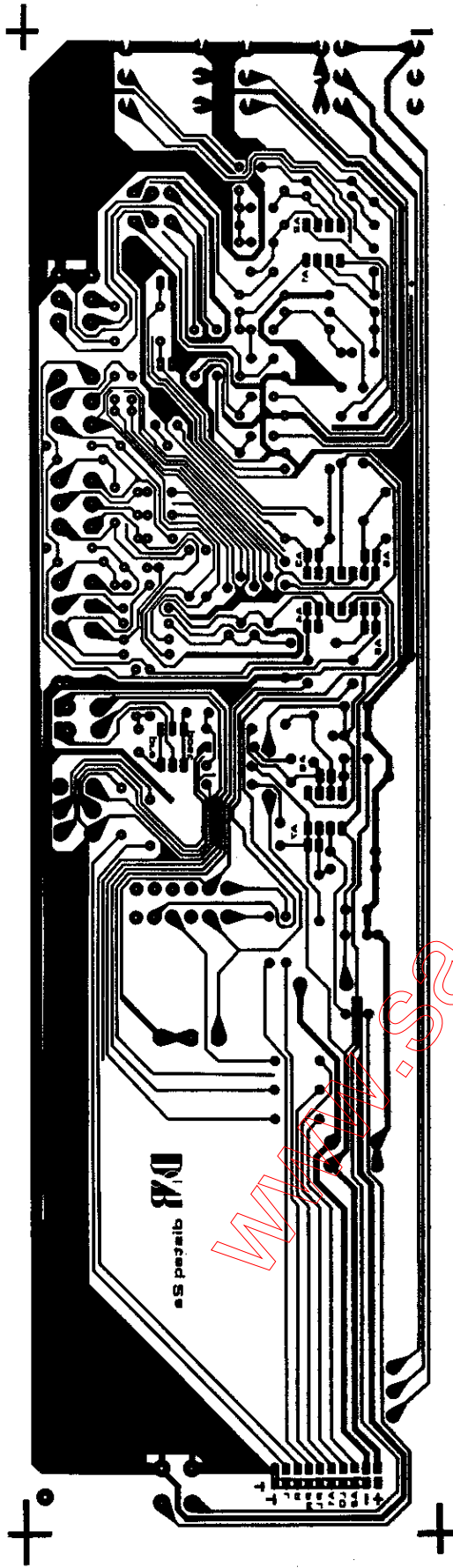
PartNr	Value	Notes	PartNr
R1	47k	5%	0749
R2	390E	5%	0724
R3	100k	5%	0753
R4	10k	5%	0741
R5	47k	5%	0749
R6	47k	5%	0749
R7	1k2	5%	0730
R8	8k2	5%	0740
R9	82k	5%	0752
R10	10k	5%	0744
R11	18k	5%	0744
R12	1k2	5%	0730
R13	1k2	5%	0730
R14	10k	5%	0741
R15	10k	5%	0741
R16	47k	5%	0749
R17	100k	5%	0753
R19	47k	5%	0749
R20	10k	5%	0741
R21	1k5	5%	0731
R22	1k5	5%	0731
R23	47k	5%	0749
R31	47k	5%	0749
R32	390E	5%	0724
R33	100k	5%	0753
R34	10k	5%	0741
R35	47k	5%	0749
R36	47k	5%	0749
R37	1k2	5%	0730
R38	8k2	5%	0740
R39	82k	5%	0752
R40	10k	5%	0744
R41	18k	5%	0744
R42	1k2	5%	0730
R43	1k2	5%	0730
R44	10k	5%	0741
R45	10k	5%	0741
R46	47k	5%	0749
R47	100k	5%	0753
R49	47k	5%	0749
R50	10k	5%	0741
R51	1k5	5%	0731
R52	1k5	5%	0731
R53	47k	5%	0749
R54	47k	5%	0749
R55	22k	5%	0745
R56	10k	5%	0741
R57	22k	5%	0745
R58	10k	5%	0741
R300	10E	5%	0705
R301	10E	5%	0705

www.ed-vintage.com

R383

supply sym.

C1	47/25	elco	0287	
C2	47/25	elco	0287	
C3	0.033	poly	0257	
C4	6800p	poly	0251	
C5	47/25	elco	0287	
C6	47/25	elco	0287	
C7	1000p	ker	0236	
C8	2p2	ker	0205	
C9	47/25	elco	0287	
C10	0.022	poly	0256	
C11	6800p	poly	0251	
C12	8200p	poly	0252	
C13	1500p	poly	0247	
C14	47/25	elco	0287	
C15	47/25	elco	0287	
C16	15p	ker	0215	
C20	15p	ker	0215	
C21	47/25	elco	0287	
C22	47/25	elco	0287	
C23	0.033	poly	0257	
C24	6800p	poly	0251	
C25	47/25	elco	0287	
C26	47/25	elco	0287	
C27	1000p	ker	0236	
C28	2p2	ker	0205	
C29	47/25	elco	0287	
C30	0.022	poly	0256	
C31	6800p	poly	0251	
C32	8200p	poly	0252	
C33	1500p	poly	0247	
C34	47/25	elco	0287	
C35	47/25	elco	0287	
C36	4p7	ker	0209	
C37	47/25	elco	0287	
C38	4p7	ker	0209	
C39	47/25	elco	0287	
C40	47/25	elco	0287	
C41	47/25	elco	0287	
C300	47/25	elco	0287	
C301	47/25	elco	0287	
C302	0.1/63	ker	0241	
C303	0.1/63	ker	0241	
A1,A2	NE5532	lowns	0307	
A3,A4,A5,A6	TL074	bifet	0305	
A7,A8	TL072	bifet	0304	
gain	P1	22kAst	12.5mm	0086
high	P2	100kAst	12.5mm	0089
mid	P3	100kAst	12.5mm	0089
low	P4	100kAst	12.5mm	0089
aux1	P5	47kB	12.5mm	0087
aux1/2	P5* (optional)	47kBco	12.5mm	0999
bal	P6	10Kast cn	12.5mm	0092
fader	F1	10kAst	jungeng	0090
pho/li.	S1	2x2 switch	ALPS	0400
p+l	S2	4x2 switch	ALPS	0401
conn. A		20 pins	MLX557820	0456
conn. B		3 pins shunt	MLX7030	----
conn. C (optional)		3 pins shunt	MLX7030	----
phono	J1	break jack	CLIFF	0432
line	J2	break jack	CLIFF	0433



**DR**  
Electronica by Holland

TELEX: 18503 dr nl  
 TELEPHONE: 02940-18014  
 RIJNSKRADE 15b  
 1382GS WEESP

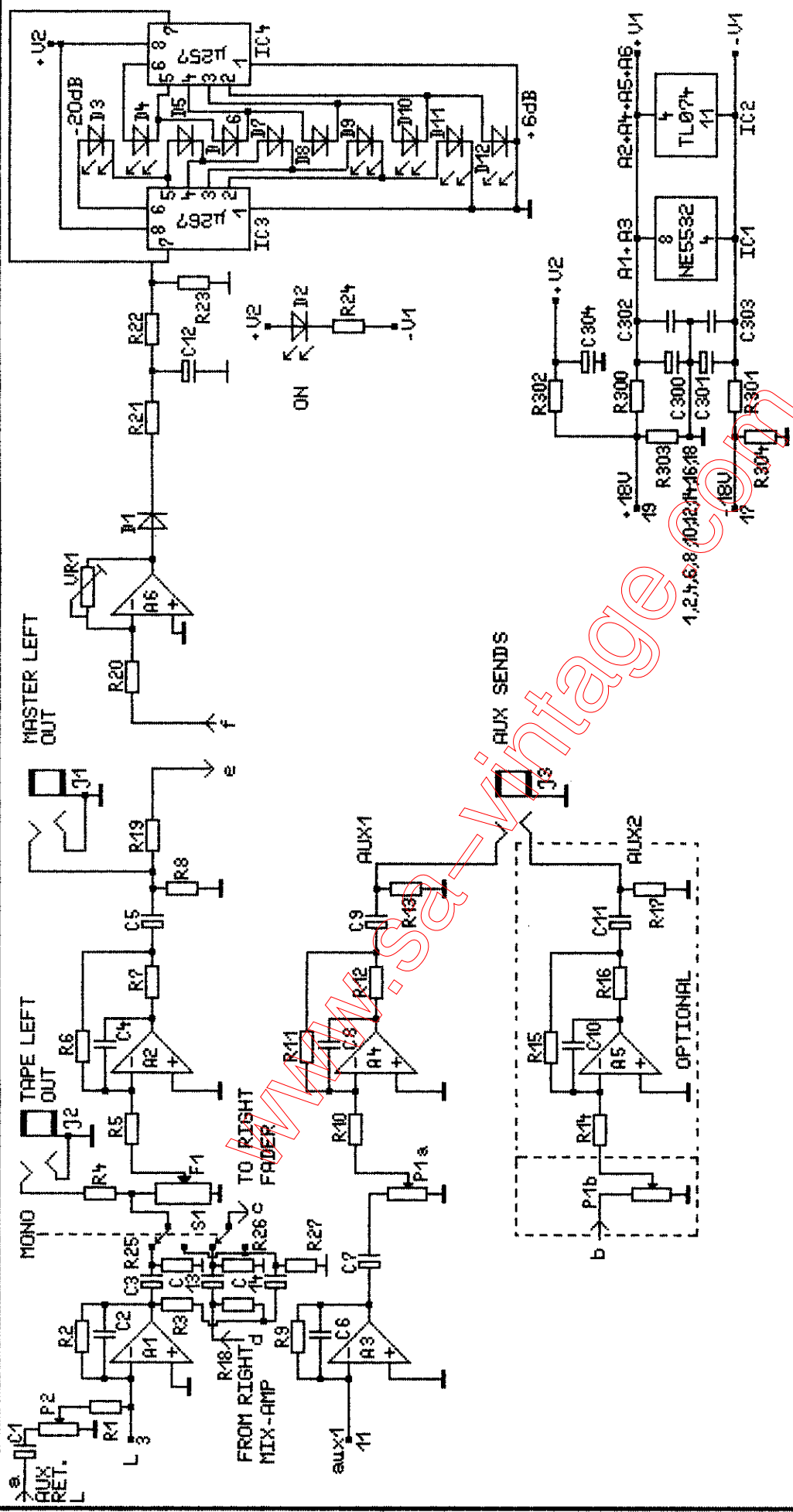
TITLE :DISTEQ STEREO CHANNEL  
 pcb 1

PCB.REF.nr.:  
 DESIGN:  
 DATE :  
 SHEET OF

THIS DRAWING REPLACES PREVIOUS ONES

INDEX  
 MOD.BY.  
 DATE  
 CHECK 1  
 CHECK 2  
 DRAWN

NOTES



**DAB**  
 Electronica bv Holland

TELEX: 18503 dr nl  
 TELEPHONE: 029+0-18014  
 RIJNSKADE 15b  
 13826S WEESEP  
 Holland

TITLE : DISTEQ-MASTER  
 LEFT

THIS DRAWING REPLACES PREVIOUS ONES

INDEX	3
MOD. BY.	J.de Vries
DATE	03-08-87
CHECK 1	
CHECK 2	
DRAWN	J.A.van Hezik

NOTES  
 1.  
 a, b, c, d, e, f are interconn.  
 between P.C.B.'s: 3 and 4



1382 GS MEESY  
 TLX. 18503 dr nl  
 TEL. 02946-18014

Electronica b.v. HOLLAND

Date : 28/08/1987

R & D department

PARTLIST : DISTEQ-3 LEFT MASTER

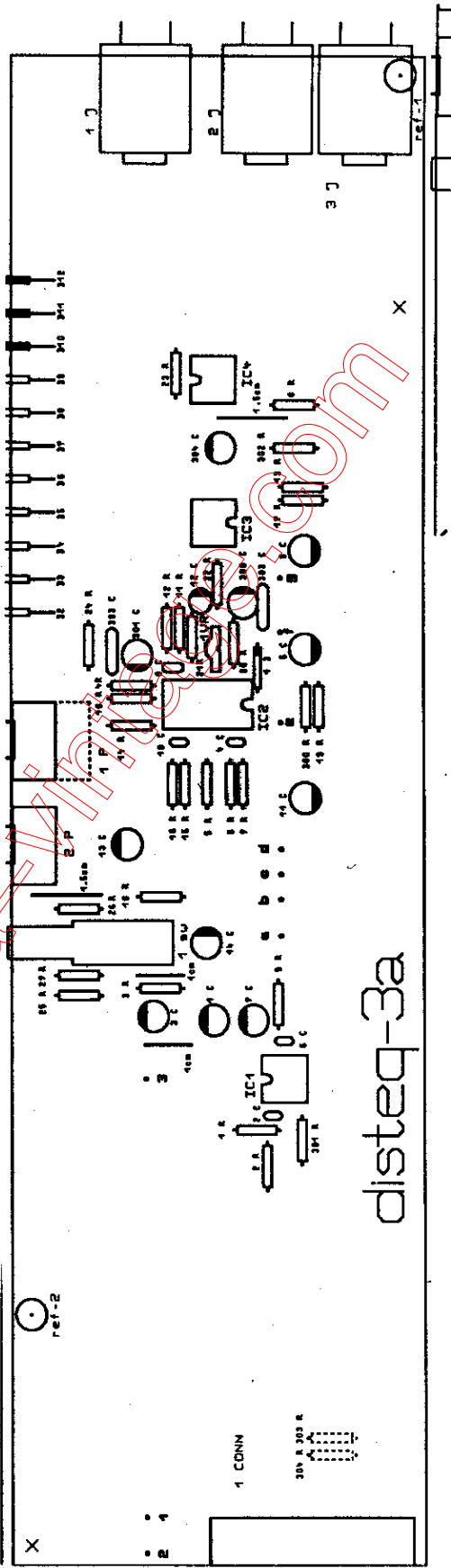
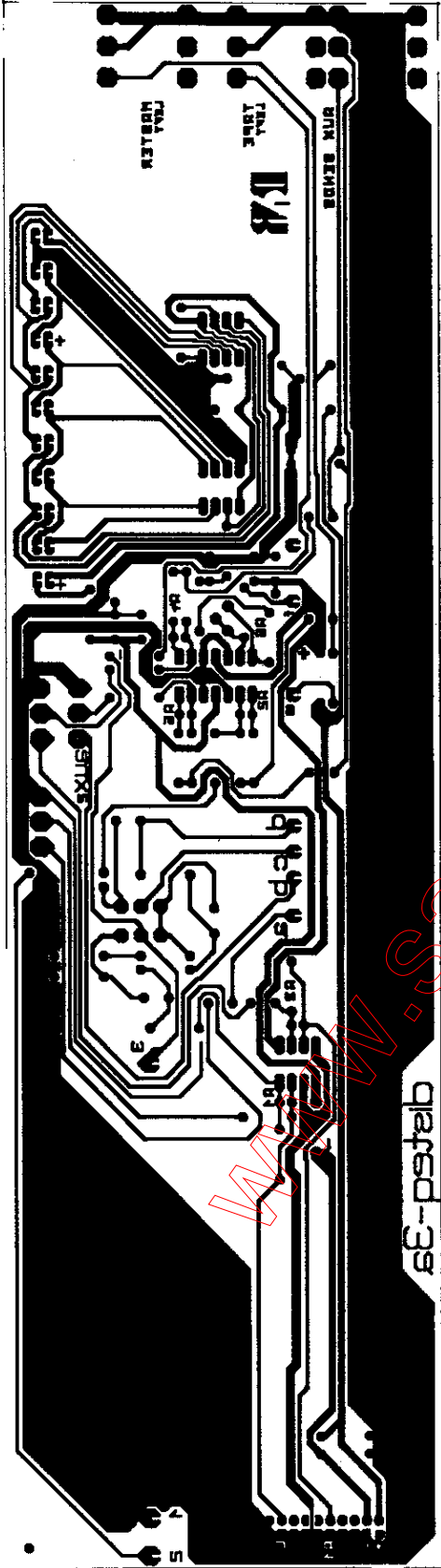
PCB-index : 3a

PartNr	Value	Notes	ArtNr
R1	10k	5%	0741
R2	100k	5%	0753
R3	1k5	5%	0731
R4	100E	5%	0717
R5	47k	5%	0749
R6	75k0	1%	0870
R7	100E	5%	0717
R8	47k	5%	0749
R9	100k	5%	0753
R10	47k	5%	0749
R11	75k0	1%	0870
R12	100E	5%	0717
R13	47k	5%	0749
R14	47k	5%	0749
R15	75k0	1%	0870
R16	100E	5%	0717
R17	47k	5%	0749
R18	1k5	5%	0731
R19	100E	5%	0717
R20	8k2	5%	0740
R21	100E	5%	0717
R22	475k	1%	0876
R23	90k9	1%	0799
R24	2k2	5%	0733
R25	47k	5%	0749
R26	47k	5%	0749
R27	47k	5%	0749
R300	10E	5%	0705
R301	10E	5%	0705
R302	10E	5%	0705
R303	---	---	----
R304	---	---	----
C1	47/25	e lco	0287
C2	3p9	ker	0208
C3	47/25	e lco	0287
C4	10p	ker	0213
C5	47/25	e lco	0287
C6	3p9	ker	0208
C7	47/25	e lco	0287
C8	3p9	ker	0208
C9	47/25	e lco	0287
C10	3p9	ker	0208
C11	47/25	e lco	0287
C12	1.0/63	e lco	0279
C13	47/25	e lco	0287
C14	47/25	e lco	0287
C300	47/25	e lco	0287
C301	47/25	e lco	0287
C302	0.1/63	ker	0241
C303	0.1/63	ker	0241



D1	1N-4148	sgn. diode	0342
D2	LED green	5x2 mm	0389
D3	LED green	5x2 mm	0389
D4	LED green	5x2 mm	0389
D5	LED green	5x2 mm	0389
D6	LED green	5x2 mm	0389
D7	LED green	5x2 mm	0389
D8	LED green	5x2 mm	0389
D9	LED green	5x2 mm	0389
D10	LED red	5x2 mm	0389
D11	LED red	5x2 mm	0390
D12	LED red	5x2 mm	0390
IC1	NE 5532	low-noise	0307
IC2	TL 074	biFET	0305
IC3	U 267	5-segm. leddriver	0312
IC4	U 257	5-segm. leddriver	0311
P1	47k $\Omega$	12.5mm mono	0887
P2	22k $\Omega$	12.5mm mono	0896
VR1	47k	mini trim	0147
J1	break-jack	CLIFF	0432
J2	break-jack	CLIFF	0432
J3	break-jack	CLIFF	0432
CONN1	20 pins header	MOLEX 5578	0465
S1	2x2 non shorting	ALPS	0400
F1	10k $\Omega$	100mm JUNGPOONG	0089

www.sa-vintage.com



disteq-3a

TELEX: 18503 dr nl  
 TELEPHONE: 02940-18014  
 RIJNKADE 15b  
 1382GS WEESP

**DB**  
 Electronica by Holland

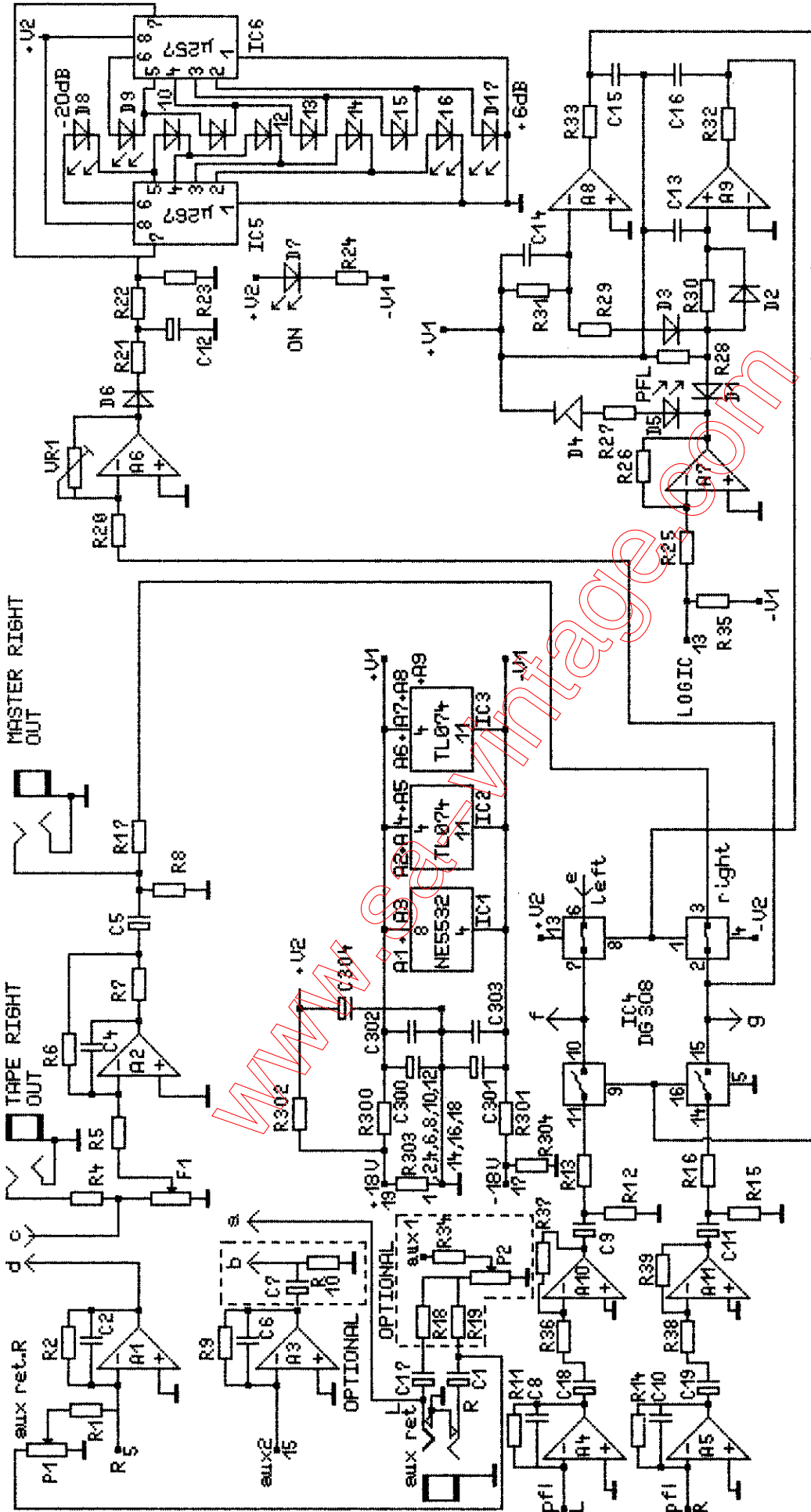
TITLE : DISTEQ-MASTER  
 PCB 3 LEFT

PCB.REF. nr:  
 DESIGN:  
 DATE :

THIS DRAWING REPLACES PREVIOUS ONES

INDEX	
MOD. BY.	
DATE	
CHECK 1	
CHECK 2	
DRAWN	

NOTES :



TELEX: 18503 dr nl  
 TELEPHONE: 02940-18014  
 RUYKRADE 15D  
 1382GS WEESP

Electronica by Holland

TITLE : DISTEQ - MASTER  
 PCB 4

TELEX: 18503 dr nl  
 TELEPHONE: 02940-18014  
 RUYKRADE 15D  
 1382GS WEESP

THIS DRAWING REPLACES PREVIOUS ONES

INDEX 2  
 MOD. BY. J. de Vries  
 DATE 29-08-87  
 CHECK 1  
 CHECK 2  
 DRAWN J.A. van Hezik / P. W. Ucke

NOTES  
 a, b, c, d, e, f, g are interconn. between P.C.B.'s 3, 4 and 5.



Rijnkade 15b  
 1382 GS MEESD  
 TLX. 18503 dr nl  
 TEL. 02940-10014

Electronica b.v. HOLLAND

Date : 28/08/1987

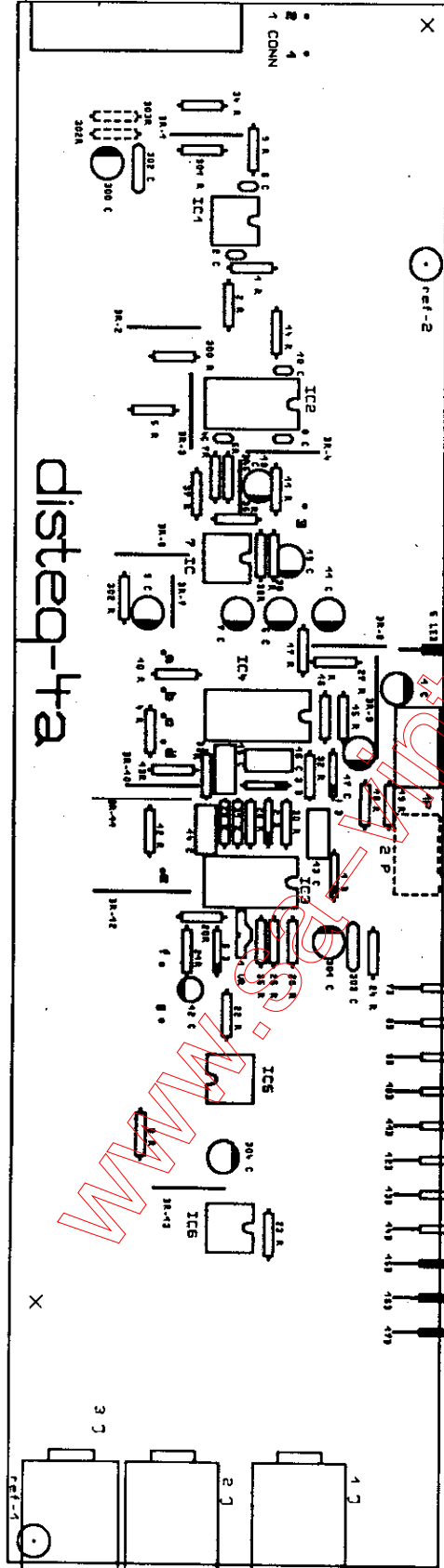
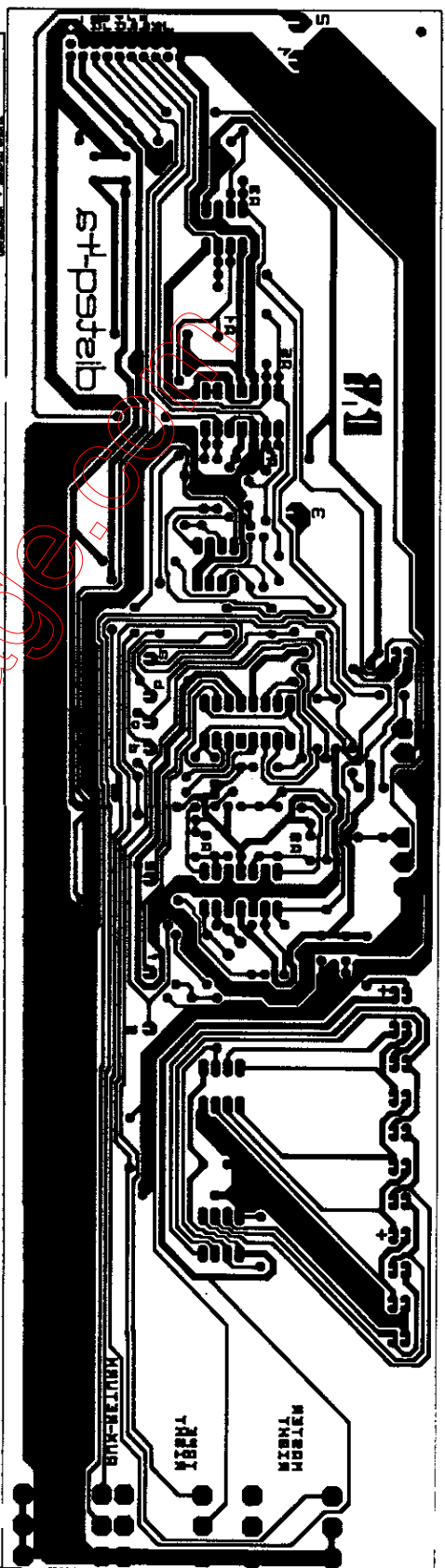
R & D department

PARTLIST : DISTEQ-4 RIGHT MASTER

PCB-index : 4a

PartNr	Value	Notes	ArtNr
R1	10k	5%	0741
R2	100k	5%	0753
R3	---	---	----
R4	100E	5%	0717
R5	47k	5%	0749
R6	75k0	1%	0870
R7	100E	5%	0717
R8	47k	5%	0749
R9	100k	5%	0753
R10	47k	5%	0749
R11	15k0	1%	0853
R12	47k	5%	0749
R13	100E	5%	0717
R14	15k0	1%	0853
R15	47k	5%	0749
R16	100E	5%	0717
R17	100E	5%	0717
R18	2k2	5%	0733
R19	2k2	5%	0733
R20	8k2	5%	0740
R21	100E	5%	0717
R22	475k	1%	0876
R23	90k9	1%	0799
R24	2k2	5%	0733
R25	33E	5%	0711
R26	47k	5%	0749
R27	1k0	5%	0729
R28	10k	5%	0741
R29	10k	5%	0741
R30	68k	5%	0751
R31	100k	5%	0753
R32	1k0	5%	0729
R33	1k0	5%	0729
R34	22k	5%	0745
R35	100k	5%	0753
R36	10k	5%	0741
R37	10k	5%	0741
R38	10k	5%	0741
R39	10k	5%	0741
R300	10E	5%	0705
R301	10E	5%	0705
R302	10E	5%	0705
R303	---	---	----
R304	---	---	----
C1	47/25	e lco	0287
C2	3p9	ker	0208
C3	---	---	----
C4	10p	ker	0213
C5	47/25	e lco	0287
C6	3p9	ker	0208
C7	47/25	e lco	0287
C8	22p	ker	0217
C9	47/25	e lco	0287
C10	22p	ker	0217

C12		1.0/63	elco	0279
C13		0.22	poly 2e/3e	0269
C14		0.22	poly 2e/3e	0269
C15		0.068	poly 2e/3e	0260
C16		0.068	poly 2e/3e	0260
C17		47/25	elco	0287
C18		47/25	elco	0287
C19		47/25	elco	0287
C300		47/25	elco	0287
C301		47/25	elco	0287
C302		0.1/63	ker	0241
C303		0.1/63	ker	0241
C304		47/25	elco	0287
D1		1N-4148	sgn.diode	0342
D2		1N-4148	sgn.diode	0342
D3		1N-4148	sgn.diode	0342
D4		12 V 400mW	zener diode	0353
D5		LED red	5x2 mm	0390
D6		1N-4148	sgn.diode	0342
D7		LED green	5x2 mm	0389
D8		LED green	5x2 mm	0389
D9		LED green	5x2 mm	0389
D10		LED green	5x2 mm	0389
D11		LED green	5x2 mm	0389
D12		LED green	5x2 mm	0389
D13		LED green	5x2 mm	0389
D14		LED green	5x2 mm	0389
D15		LED red	5x2 mm	0390
D16		LED red	5x2 mm	0390
D17		LED red	5x2 mm	0390
A1+A3	IC1	NE 5532	low-noise	0307
A2+A4+				
A5	IC2	TL 074	biFET	0305
A6-A9	IC3	TL 074	biFET	0305
a+b+c+d	IC4	DG 308	quad anal.switch	0354
	IC5	U 267	5-segm. leddriver	0312
	IC6	U 257	5-segm. leddriver	0311
A10+A11	IC7	TL 072	biFET	0304
option.	P1	22kΩ	12.5mm mono	0896
	P2	22kΩ	12.5mm mono	0896
	VR1	47k	mini trim	0147
	J1	break-jack	CLIFF	0432
	J2	break-jack	CLIFF	0432
	J3	break-jack	CLIFF	0432
	CONN1	20 pins header	MOLEX 5578	0465
	F1	10kΩ	100mm JUNGPOONG	0089



disteq-4a

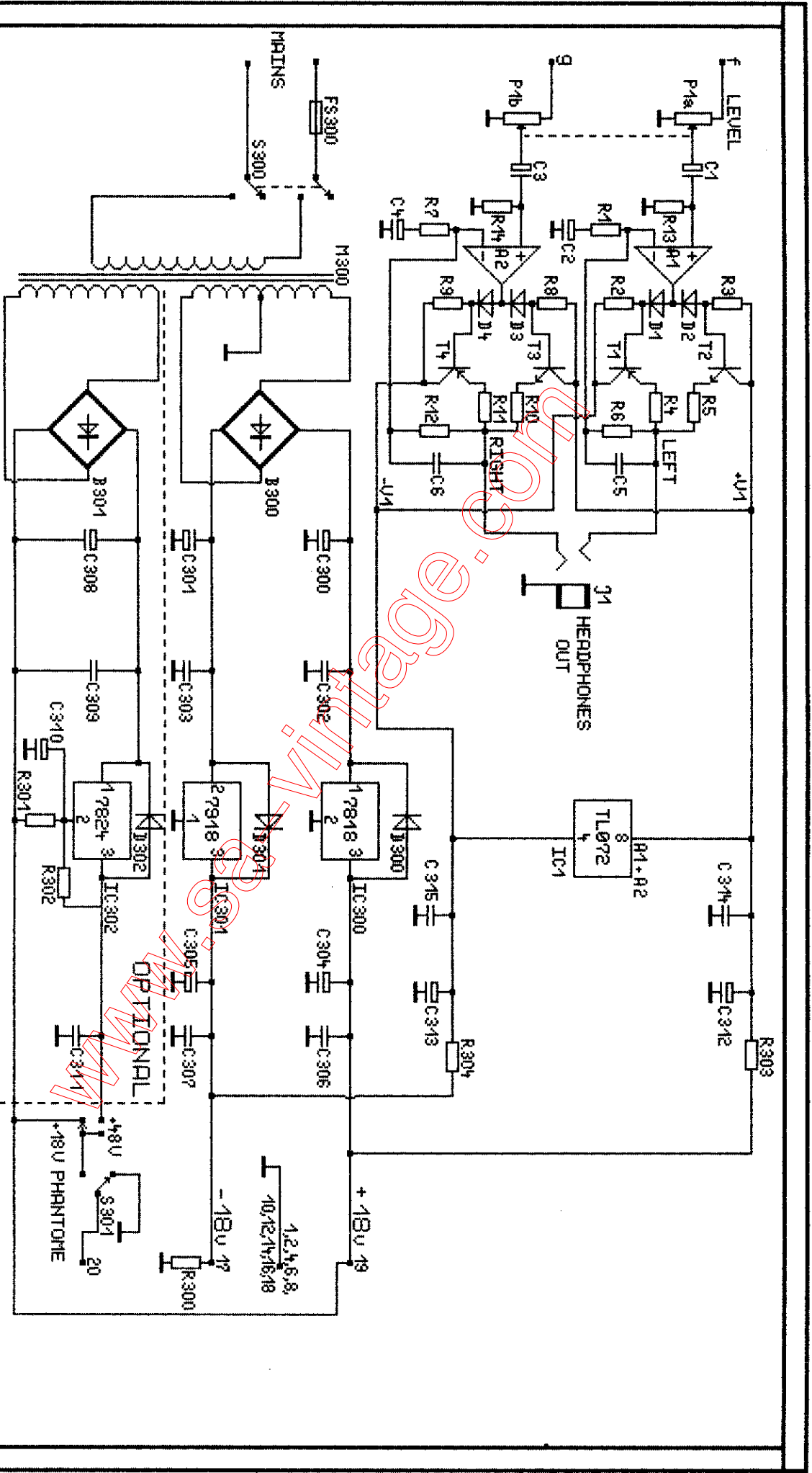
VERBODEN TOEGANG TOT DEZE  
TECHNISCHE TEKENING  
Wanneer u niet de afzender bent  
wordt het gebruik van deze  
tekening verboden.  
Rij 1

ref-2

**DR**  
Electronica bv  
Holland

27

TELEX: 18503 dr nl		TITLE: DISTEQ-MASTER		THIS DRAWING REPLACES PREVIOUS ONES		NOTES :	
TELEPHONE: 02940-18014		PCB 4		RIGHT			
RJKRADE 15b		PCB. REF. nr. :		INDEX			
1382GS WESP		DESIGN :		HOD. BY.			
		DATE :		DATE			
		SHEET :		CHECK 1			
		OF :		CHECK 2			
				DRAWN			



**DB**  
 TELEX: 18503 dr nl  
 TELEPHONE: 02940-18044  
 RUYNKADE 15b  
 13826S WESP  
 Electronics bv Holland

TITLE: DISTEREO POWERSP.  
 HEADPHONES

PCB.S  
 PCB. REF. nr.: 0774  
 DESIGN: J. de R. Lijk  
 DATE: 29-08-1987

SHEET 5 OF 5

THIS DRAWING REPLACES PREVIOUS ONES

INDEX	MOD. BY	DATE	CHECK 1	CHECK 2	DRAWN
2	J. de Vries	29-08-87			J. R. v. Hezik

NOTES:  
 f.g are interconn. between P.C.B. 4 and 5.



PARTLIST : DISTEQ POWER SUPPLY+PHONES

PCB-index : 5a

PartNr	Value	Notes	ArtNr
R1	1k	5%	0729
R2	2k2	5%	0733
R3	2k2	5%	0733
R4	100E	5%	0717
R5	100E	5%	0717
R6	5k6	5%	0738
R7	1k0	5%	0729
R8	2k2	5%	0733
R9	2k2	5%	0733
R10	100E	5%	0717
R11	100E	5%	0717
R12	5k6	5%	0738
R13	47k	5%	0749
R14	47k	5%	0749
R300	--	--	----
phantom R301 (optional)	390E	5%	0724
phantom R302 (optional)	3k9	5%	0736
R303	10E	5%	0705
R304	10E	5%	0705
C1	47/25	e lco	0287
C2	47/25	e lco	0287
C3	47/25	e lco	0287
C4	47/25	e lco	0287
C5	10p	ker	0213
C6	10p	ker	0213
C300	4700/40	e lco	0299
C301	4700/40	e lco	0299
C302	0.1/63	ker	0241
C303	0.1/63	ker	0241
C304	100/25	e lco	0292
C305	100/25	e lco	0292
C306	0.1/63	ker	0241
C307	0.1/63	ker	0241
phantom C308 (optional)	2200/63	e lco	0272
C309	0.1/63	ker	0241
C310	220/63	e lco	0293
phantom C311 (optional)	0.1/63	ker	0241
C312	47/25	e lco	0287
C313	47/25	e lco	0287
C314	0.1/63	ker	0241
C315	0.1/63	ker	0241
D1	1N4148	sgn	0342
D2	1N4148	sgn	0342
D3	1N4148	sgn	0342
D4	1N4148	sgn	0342
D300	1N4003	rect	0343
D301	1N4003	rect	0343
phantom D302 (optional)	1N4003	rect	0343
T1	BC327	PNP	0333
T2	BC337	NPN	0332
T3	BC337	NPN	0332



	IC1	TL072	bifet	0304
	IC300	7818 T0220	pos.reg.	0322
	IC301	7918 T0220	neg.reg.	0323
phantom	IC302 (optional)	7824 T0220	pos.reg.	0324
	B300	B80C1000	bridge rect.	0345
phantom	B301 (optional)	B80C1000	bridge rect.	0345
level	P1	22k8sp	12.5mm matched	0207
mains	S300	220V/2 x 2	printsw.	0406
phant.	S301	2x2 non shorting	ALPS	0400
	FS300	160mA slow	fuse + holder	0675
	M300	1C275 18V	ringk.	+0693 0587
	conn. 1	20 pins	MLX557820	0456
phones	J1	BREAK jack	CLIFF	0433

www.sa-vintage.com

